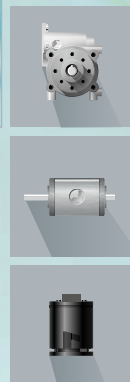
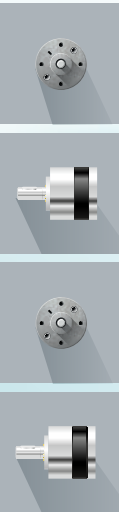


Mechatronic drive solutions for

- | Dental chairs
- | Amalgam separators
- | Medical tables
- | Lab analyzers / centrifuges
- | Dialysis devices
- | Inhalers
- | Infusion pumps
- | Patient lifts
- | Wheelchairs
- | Dosing pumps for fluids and gases
- | Anesthesia solutions
- | Dental kilns
- | MRI applications



bMotion
Modular Mechatronic Drive Solutions

www.buehlermotor.com

Buehler
Motor



»» fast forward solutions

Sales Offices

| Europe

Buehler Motor GmbH
Anne-Frank-Str. 33-35
90459 Nuremberg
Germany
Tel.: +49 911 45 04 0
Fax: +49 911 45 46 26
e-mail: info@buehlermotor.com
Internet: www.buehlermotor.de

| North America

Buehler Motor, Inc.
860 Aviation Parkway, Suite 300
Morrisville, NC 27560
USA
Tel.: +1 919 380 3333
Fax: +1 919 380 3256
e-mail: sales@buehlermotor.com
Internet: www.buehlermotor.com

| Asia

Buehler Motor (Zhuhai) Co., Ltd.
Sales Office Shanghai
Room 1602, UC Tower, No. 500 Fusahn Rd.
Pudong, Shanghai, 200122
China
Tel.: +86 21 6106 8618
Fax: +86 21 6106 8618 Ext. 8666
e-mail: sales@buehlermotor.cn
Internet: www.buehlermotor.com

IS/bMotion/ME/18/10/EN

www.buehlermotor.com

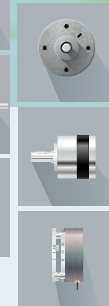
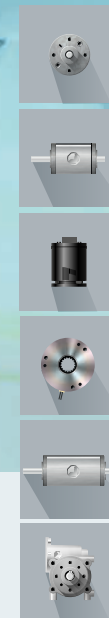
Buehler
Motor



»» fast forward solutions

Modular Mechatronic Drive Solutions

to help solve your
medical challenges



bMotion
Modular Mechatronic Drive Solutions

www.buehlermotor.com

IS/Stock © sudok1

bMotion

A completely innovative modular drive platform: Maximum modularity, easy combinability and a large number of predefined variants for optimally tailored solutions to customer needs. With pre-validated combinations for specific market requirements.

Fixed lead times for sample, pre-series and series parts in conjunction with comprehensive support generate significant added value for customers across the entire product lifecycle.

New Services

- | Comprehensive lifecycle support
- | Extensive application knowledge
- | A wide variety of solutions from a single source

IS/Stock © sudok1



New Products

- | New modular drive platform
- | Countless predefined variants
- | For the best fit solution

New Systems

- | Modularization allows a wide range of combinations
- | Prequalified combinations reducing testing efforts
- | Easy customization on a standard platform

New Processes

- | Easy configuration of standard and customized products
- | Short defined lead times
- | Full traceability of motor, material and production data

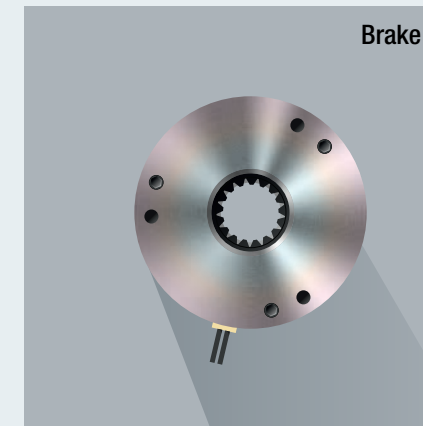
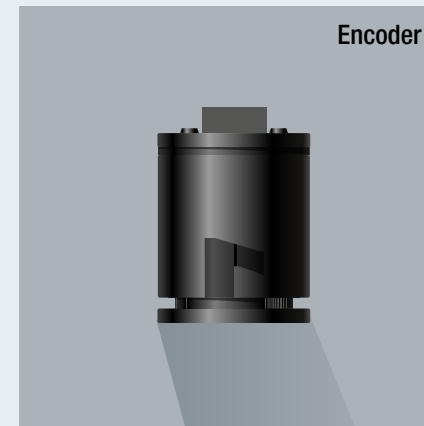
iStock © Salexd

Modular Mechatronic Drive Solutions

- | Countless predefined variants
- | Your best fit solution

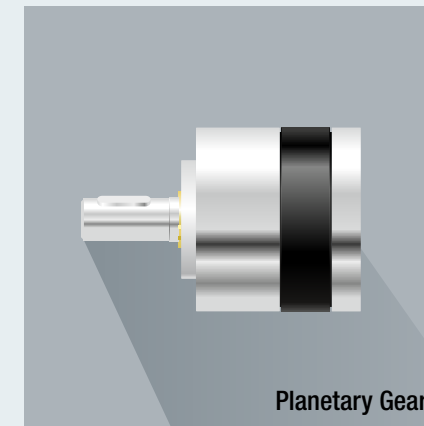
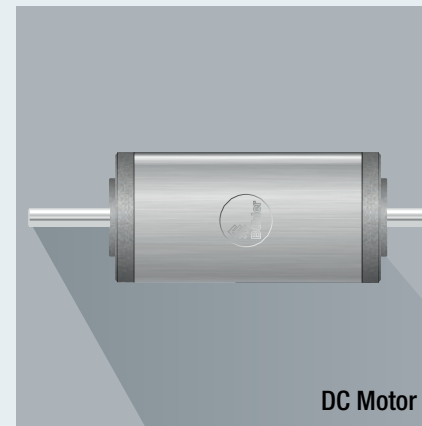
Type	Resolution	Outputs
Optical	2/(4)/(8)/100 cpr	A/B/(Z), 0C (TTL)

Diameter	Holding torque	Type
42 mm	12 Ncm	Power off
52 mm	25 Ncm	
62 mm	50 Ncm	



Delivery Class

- | Pre-configured drives: 24 hours, no minimum quantity
- | Modular configurations: 2 weeks, up from 200 pieces
- | Custom configurations and add-ons: 6 weeks, up from 200 pieces
- | Completely customer specific variants: 12 weeks, up from 200 pieces



Stages	Ratio
1	3.7
2	14/19/25
3	51/71/100/130/169

Worm wheel	Ratio	Max. Torque
Plastic	10:1/15:1	400 Ncm
Brass	5:1/10:1/15:1/30:1/50:1/55:1/75:1	1000 Ncm

Diameter	Length	Rated torque
42 mm	78/83/103 mm	6/8/11 Ncm
52 mm	95/115/135 mm	6/18/20 Ncm
63 mm	95/125 mm	18/32 Ncm

Diameter	Torque (1/2/3 stages)
42 mm	300/750/1500 Ncm
52 mm	400/1200/2500 Ncm
62 mm	800/2500/5000 Ncm