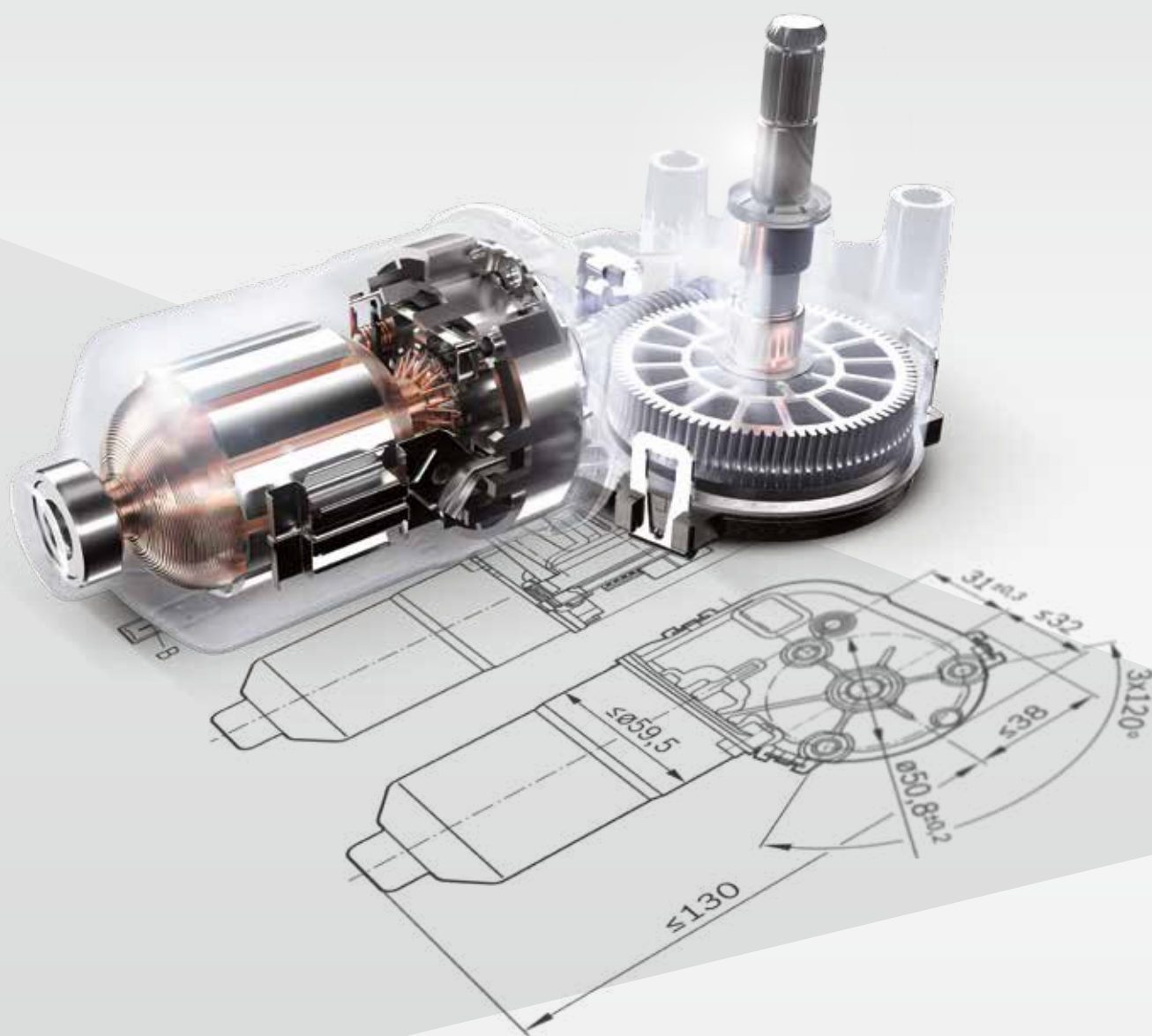




**BOSCH**

Invented for life

# Electric motors



[bosch-ibusiness.com](https://bosch-ibusiness.com)

# The right drive for your projects – Bosch electric motors



## Electric motors from Bosch encourage movement in product development

With its competence, Bosch, as one of the leading global developer and manufacturer of automotive technology, has proved itself millions of times over in mobile applications. As a development partner to various industrial branches, Bosch is aligned to the requirements of its customers. Thus, Bosch electric motors are also the ideal solution for many applications outside of the automobile. The total of its advantages are immediately obvious, where quality, reliability and competitive prices (through high volume production) are called for.

Industrial customers in particular, expect to have competent contact partners at their suppliers. To this end, an independent engineering team has been set up. Bosch engineers will advise and support you in the application engineering for D.C. motors, blowers and pumps.

Your personal contact for consulting you can find on our website.

[bosch-ibusiness.com](http://bosch-ibusiness.com)



# Content

- 
- 2 Unlimited service - Bosch electric motors
  - 4 Parameter explanation
- 

## **D.C. motors with transmission**

- 12 VMC
  - 14 AHC1
  - 16 AHC2
  - 18 FPG2
  - 20 FPG EVO
  - 22 CHP
  - 24 CHP3
  - 26 CEP
  - 28 CDP
  - 30 EFP
  - 32 EDP
  - 34 WDD
  - 36 AHC-RS
  - 38 AHC-RS2
  - 40 AHC-D
- 

## **D.C. motors without transmission**

- 44 APM
  - 46 NSA-I
  - 48 GPG-M
  - 50 GBM
  - 52 GBX
  - 54 DPO-K
- 

## **Blowers and Fans with D.C. motors**

- 58 GBM-S
  - 60 GBM-M
  - 62 GBX
- 

## **Brushless pumps**

- 66 PAD
  - 68 PCE
- 

## **Solenoid valves**

- 72 Switch-off valves
- 74 Switch-over valves

### **Notes**

This catalogue lists the standard parts supplied with all the technical information usually required by design engineers to select the most suitable motor for their particular requirements. These motors were originally designed for use in motor vehicles.

We highly recommend that Bosch be consulted first before you use motors for any applications other than those specified, particularly in the case of other requirements, loads, or environmental conditions.

Subject to change.

Product pictures shown in this catalogue are generic and examples for specific product families. The offer drawings for quoted products shall prevail.



## Unlimited service – Bosch electric motors



### The worldwide competent partner for industrial applications

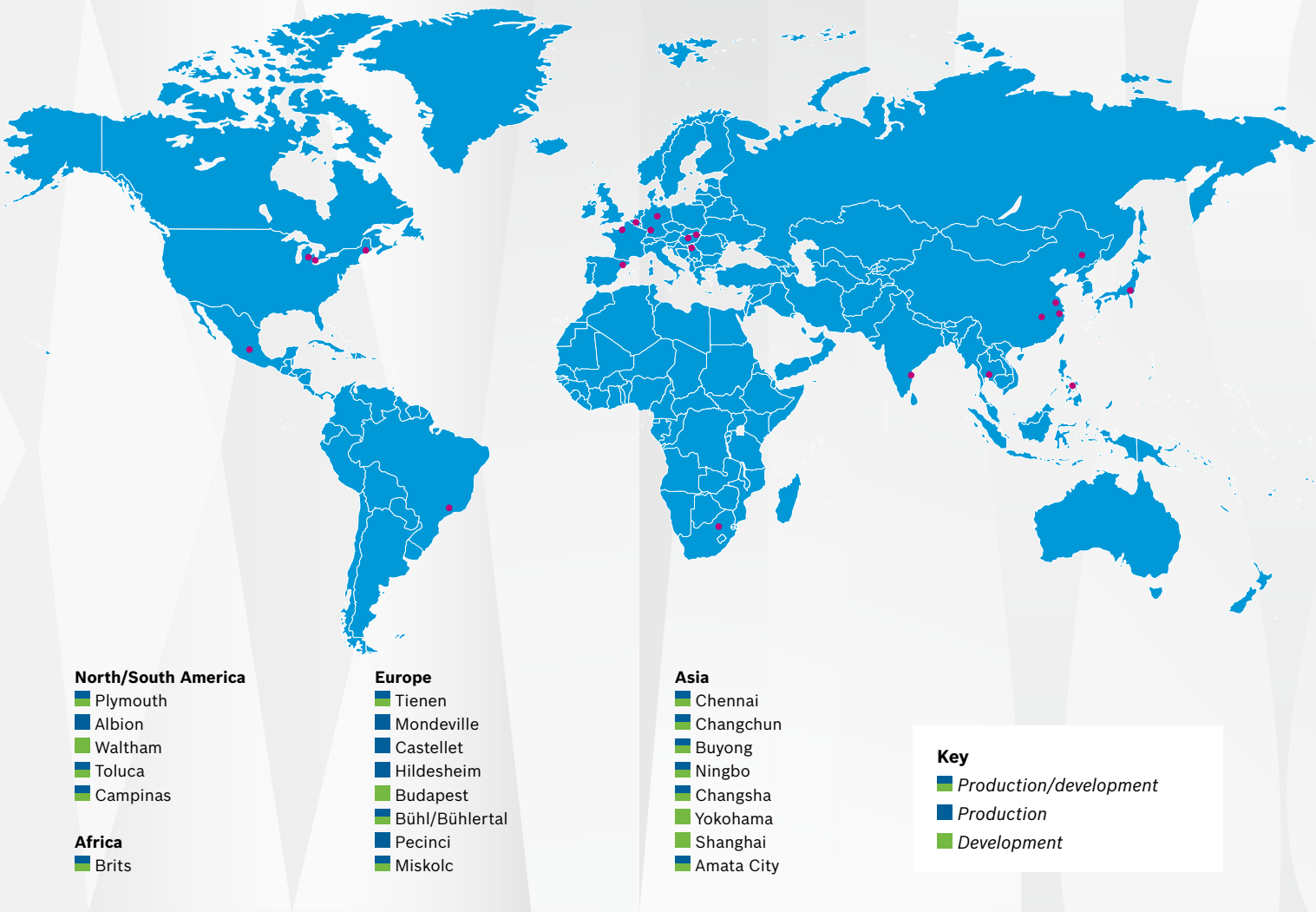
As one of the largest manufacturer of electric motors in Europe, Bosch provides its customers with a comprehensive range of products including brushless D.C. motors and brush-type D.C. motors. Bosch electric motors are developed for the automotive industry and installed into automobiles and commercial vehicles as drives for wiping systems, engine cooling and passenger compartment air-conditioning as well as for the adjustment of windows, sliding roofs and seats.

The Bosch electric motors referred to here are permanent-magnet-excited D.C. motors. They excel on account of an excellent power/

weight ratio, a broad working range and through outstanding flexibility for adaptation to different requirements and installation situations. In addition to this they are characterized by features such as low noise volume and robustness (see D.C. motors without transmission).

Bosch plants around the globe operate according to the stringent, internationally-binding Bosch quality guidelines, which only permit products for series production that have been well-proven in tough endurance tests. Profit from the strongly competitive products of mass production.





### Customer orientation in development, production and sales

#### Innovative technology from the automotive industry

- ▶ **Many million times well proven and reliable Bosch quality –**  
As a leading developer and manufacturer of automotive technology Bosch is also experienced in various applications beside the automotive industry.
- ▶ **Bosch electric motors are well known for reliability –**  
They are available in a light and compact design, and provide a high power density and long service life.
- ▶ **Price and performance, that match up –**  
Bosch offers competitive prices due to high volume production and continuous technical improvements.

#### Individual solutions for your application

- ▶ **The right solution for every requirement –**  
Due to a variety of different designs and sizes, the Bosch range of electric motors provides a great deal of flexibility for installation and use.  
Bosch electric motors operate in a D.C. voltage range of 12 to 24 Volt. They are also optionally available with and without Hall elements.
- ▶ **Successful application examples –**  
Power-operated hospital beds, wheel chairs, garage-door drives, lawnmowers, locking systems and output systems, electric mopeds and lots more.

#### Professional customer service

- ▶ **All-encompassing customer orientation –**  
Right from the very start, Bosch engineers provide their support and advice in the application engineering for D.C. motors, blowers or pumps.
- ▶ **Global Bosch Standards –** Bosch guarantees worldwide uniform production and quality standards.
- ▶ **Technical information –**  
Comprehensive information on Bosch electric motors is available in our catalogue. Apart from this, you can find more technical details online at [www.bosch-ibusiness.com](http://www.bosch-ibusiness.com).

# Parameter explanation

## Nominal values

### Nominal value

Value of a variable (e.g. voltage, current, resistance ...) according to which a motor, blower, or pump, or its characteristics and parts are specified or according to which they are designated.

### Power consumption $P_1$

$$P_1 = U \cdot I$$

$P_1$  Power consumption in W

$U$  Voltage in V

$I$  Current in A

### Output power $P_2$

For motors the output power  $P_2$  is always given.

$$P_2 = 2 \frac{\pi}{60} \cdot M \cdot n$$

$P_2$  Output power in W

$M$  Torque in Nm

$n$  Rotational speed in  $\text{min}^{-1}$

### Efficiency $\eta$

Efficiency refers to the relationship between mechanical output  $P_2$  and electrical power input  $P_1$ .

$$\eta_2 = \frac{P_2}{P_1}$$

### Example

Theoretically, a nominal voltage of 24 V and a rated current of 35 A result in a power input of  $P_1$ :

$$P_1 = U_N \cdot I_N; P_1 = 24 \text{ V} \cdot 35 \text{ A}; P_1 = 840 \text{ W.}$$

This power consumption  $P_1$  and the output  $P_{2N}$  (see Fig. page 7) determined from the characteristic-curves chart are used to calculate the efficiency  $\eta$ :

$$\eta = \frac{P_{2N}}{P_1} = \frac{600 \text{ W}}{840 \text{ W}} = 0,71 = 71\%$$

### Rated torque $M_N$

The motor's rated torque is calculated from:

$$M_N = \frac{60}{2\pi} \cdot \frac{P_{2N}}{n_N}$$

$M_N$  Rated torque in Nm

$P_{2N}$  Rated power output in W

$n_N$  Rated speed in  $\text{min}^{-1}$

### Rated speed $n_N$

Rated speed refers to the speed of a motor supplied with rated voltage and driven at a rated output.

### Direction of rotation

When looking at the motor's shaft end, clockwise operation is deemed to be right-handed rotation.

For motors with two shaft ends, the shaft end opposite the commutator determines the direction of rotation.

### Short-circuit values

The current consumed by the motor in case of short-circuit (when armature is braked to standstill), is the maximum current  $I_{\text{max}}$ .

When a short circuit occurs, the maximum torque  $M_A$  (breakaway torque) is effective.

### IP degrees of protection

Valid for electrical equipment of road vehicles as under IEC 60529 and DIN 40050, Part 9.

- ▶ Protection of electrical equipment within housing against influence of solid foreign bodies including dust.
- ▶ Protection of electrical equipment within housing against ingress of water.
- ▶ Protection of people against touching of moving mechanical parts within housing.

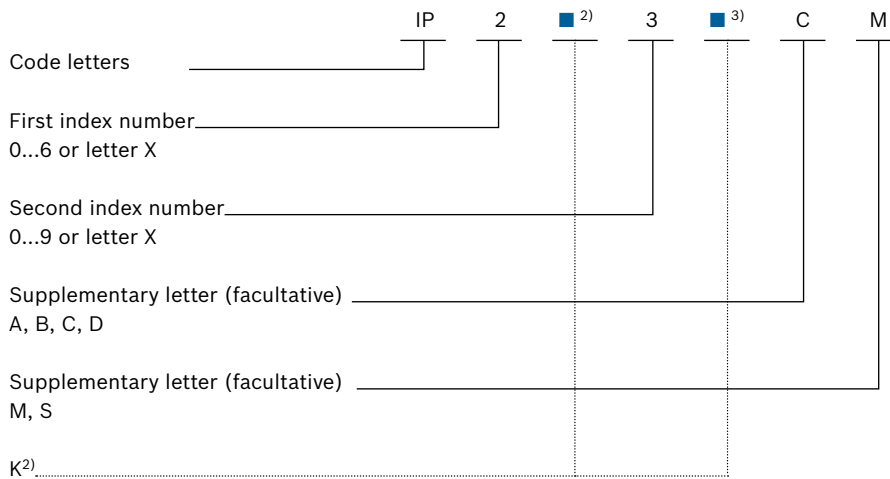
## Fastening

- ▶ Housing fastening: By means of screws on the motor or transmission housing. Blowers are fastened in a similar manner, either to the drive motor or the air shroud.
- ▶ Flange mounting: The motor's drive-end support has a two or three-hole flange, or the front side contains three or four threaded holes for fastening.

## Cooling

- ▶ Internal natural cooling: open-type design, without fan.
- ▶ Internal natural cooling: open-type design, with separate fan.
- ▶ Internal forced-air cooling: open-type design, with externally-driven fan.
- ▶ Surface natural cooling: closed design, without fan.
- ▶ Surface natural cooling: closed design, with separate fan.

### IP-code structure



If an index number is not given, then the letter “X” must be substituted (i.e. “XX”, if both index numbers are missing).

Additional and/or supplementary letters can be omitted without any substitution:

<sup>2)</sup> The supplementary letter “K” is placed either immediately after the first index numbers 5 and 6 or immediately after the second index numbers 4, 6 and 9.

<sup>3)</sup> During the water test for example: IP16KB protection against ingress of solid foreign bodies with a diameter  $\geq 50$  mm, protection against powerful spray water at high pressure, protection against being touched by fingers.

### Explanations of IP code

1. Index number and supplementary letter K	Protection of electrical equipment against ingress of foreign bodies	People	2. Index number and supplementary letter K	Protection of electrical equipment against ingress of water	Letter (facultative)	Protection of people in event of contact with hazardous parts	Letter (facultative)	
0	Not protected	Not protected	0	Not protected	A	Protection against contact with back of hand	M	Motion of moving parts Teile <sup>3)</sup>
1	Protection against foreign bodies $\varnothing \geq 50$ mm	Protection against contact with back of hand	1	Protection against vertical droplets	B	Protection against contact with fingers	S	Standstill of moving parts Teile <sup>3)</sup>
2	Protection against foreign bodies $\varnothing \geq 12.5$ mm	Protection against contact with fingers	2	Protection against droplets, 15° Inclination	C	Protection against contact with tools		
3	Protection against foreign bodies $\varnothing \geq 2.5$ mm	Protection against contact with tools	3	Protection against spray water	D	Protection against contact with wire		
4	Protection against foreign bodies $\varnothing \geq 1.0$ mm	Protection against contact with wire	4	Protection against spray water				
5K	Dust-protected	Protection against contact with wire	4K	Protection against spray water with increased pressure				
6K	Dust-proof	Protection against contact with wire	5	Protection against spray water				
			6	Protection against powerful spray water				
			6K	Protection against powerful spray water with increased pressure				
			7	Protection against temporary immersion				
			8	Protection against permanent immersion				
			9K	Protection against high pressure/vapor pressure cleaning				

**Operating modes** (VDE 0530)

**Continuous operation S 1**

Operation with constant load condition, the duration of which is sufficient to reach the thermal steady-state condition.

**Parameters for curve inspection**

- $P_1$  Power input
- $P_V$  Power loss
- $\vartheta$  Temperature
- $\vartheta_{max}$  Highest temperature
- $t_B$  Load period
- $t_r$  Relative on period (as percentage)
- $t_S$  Duration
- $t_{St}$  Standstill period

**Short-term operation S 2**

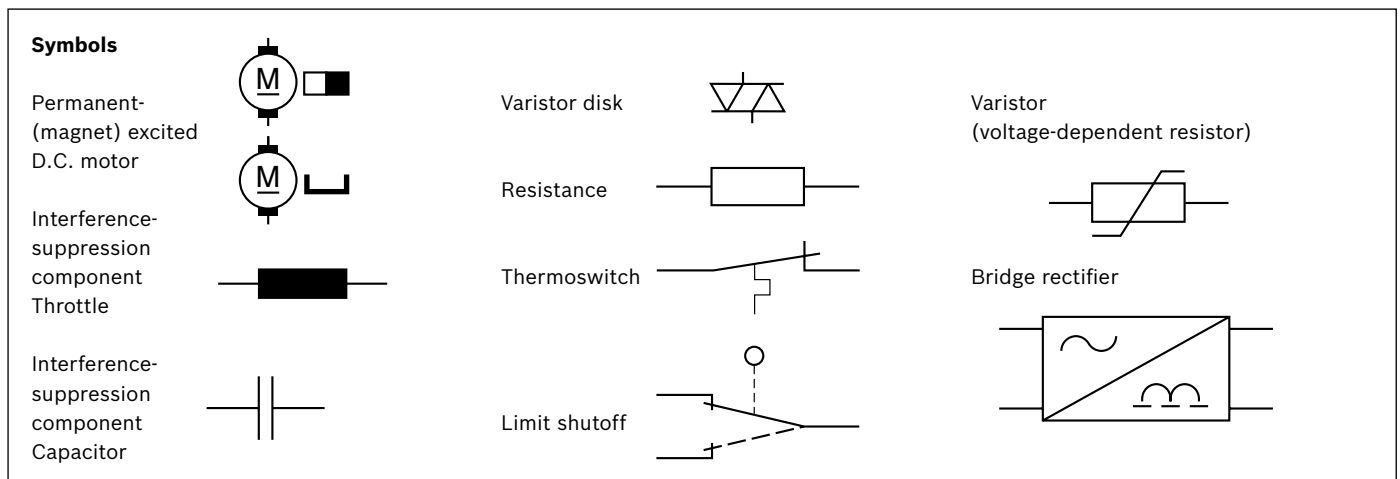
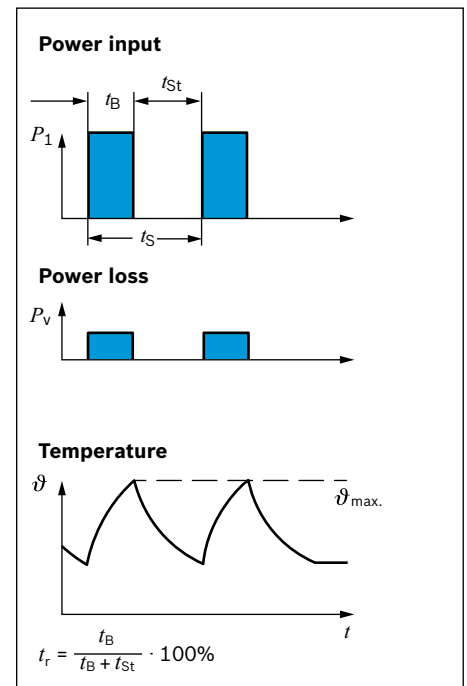
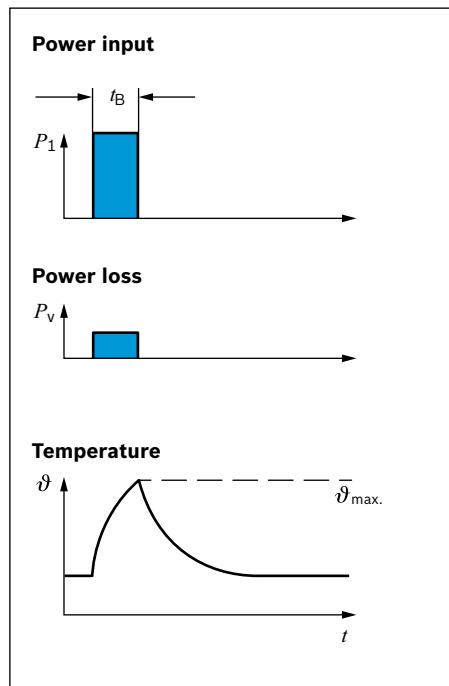
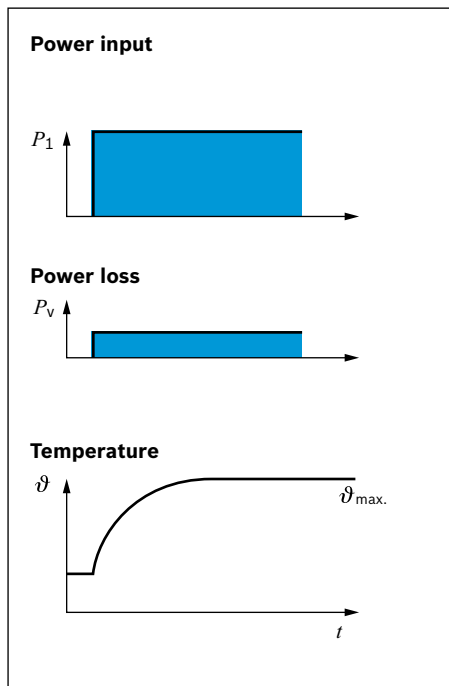
Operation with constant load condition, which does not last long enough however to enable the thermal steady-state condition to be reached, and a subsequent pause, which lasts long enough for the motor temperature not to deviate more than 2 K from the coolant temperature.

Example: S 2 – 60 min  
(The stated time refers to 60 minutes of operation at normal rating)

**Intermittent operation S 3**

Operation, comprised of a sequence of similar cycles, each of which encompasses a time with constant load and a pause, whereby the startup current does not exert any perceptible influence on heating.

Example: S 3 – 10%  
(Stated percentage refers to on period)

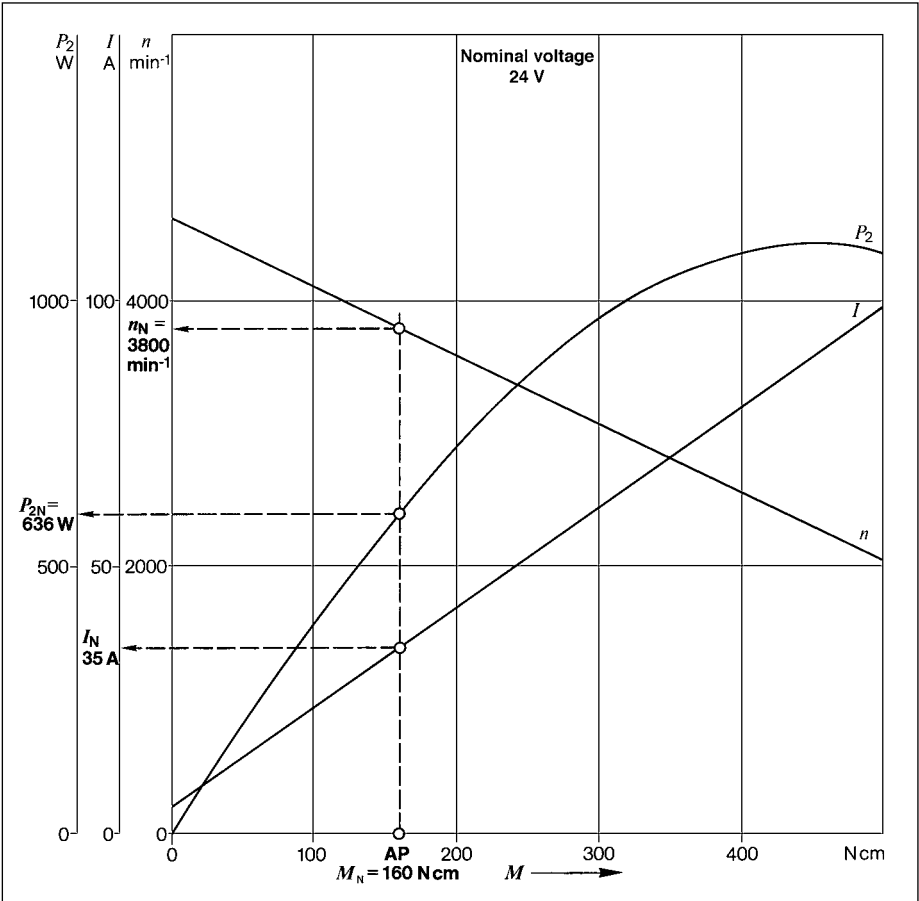


**Characteristic curves**

With a specified working point of 160 Ncm one plots a vertical line to the torque axis. The intersecting points of these vertical lines with the various characteristic curves result in the operating data for the rated speed  $n_N$ , rated current  $I_N$  and mechanical output  $P_{2N}$ .

- Explanation of characteristic curve evaluation
- AP Working point
- $M$  Torque
- $P_2$  Power output
- $I$  Current
- $n$  Rotational speed

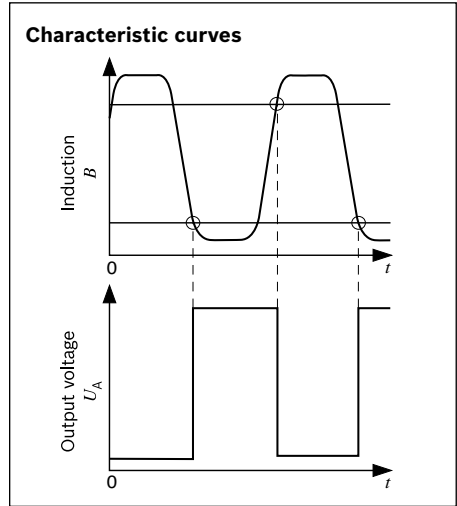
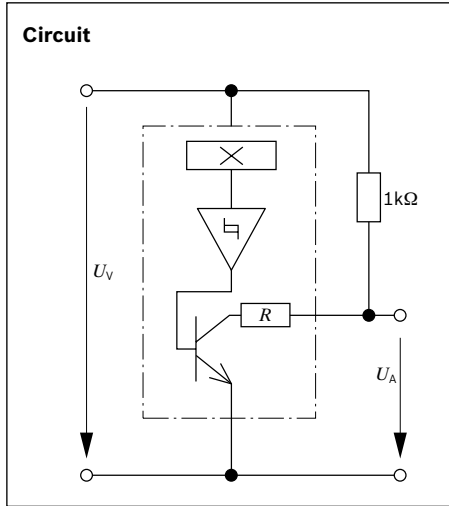
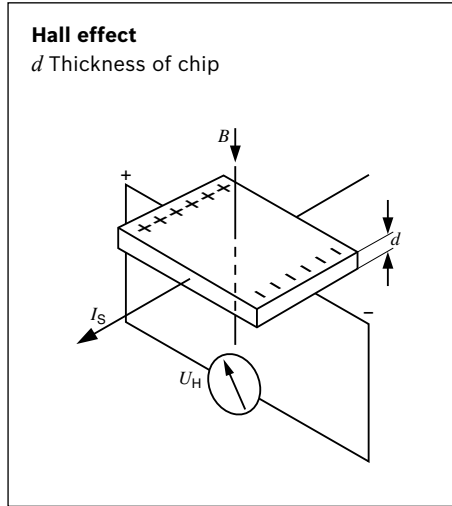
Example:  
Given:  $M_N = 160$  Ncm.  
Found:  $n_N = 3800$  rpm ( $\text{min}^{-1}$ ).  
 $P_{2N} = 636$  W and  $I_N = 35$  A.





# Motors with Hall sensor

## Hall effect



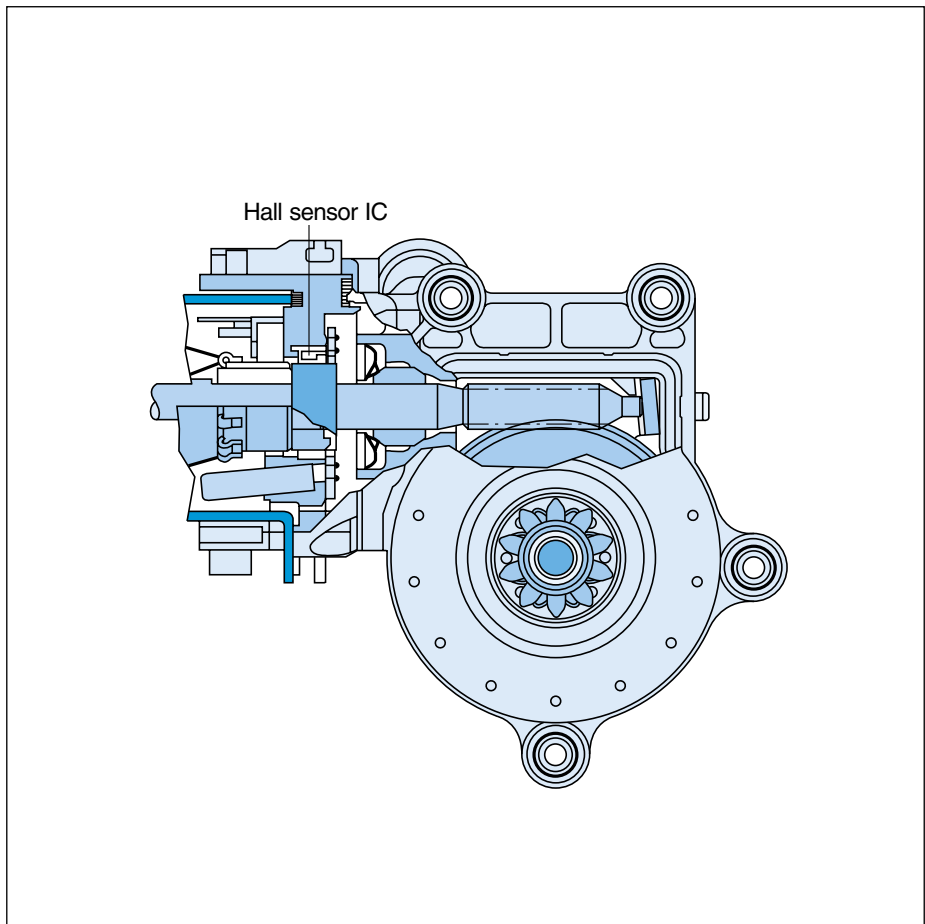
If a current  $I_s$  flows through a chip, a Hall voltage  $U_H$  is generated transverse to the direction of the current, the size of which is proportional to the magnetic induction  $B$  (vertical to  $I_s$ ) and the current  $I_s$ . The Hall voltage  $U_H$  is made up of:

$$U_H = R_H \cdot \frac{I_s \cdot B}{d}$$

$R_H$  Hall-constant factor

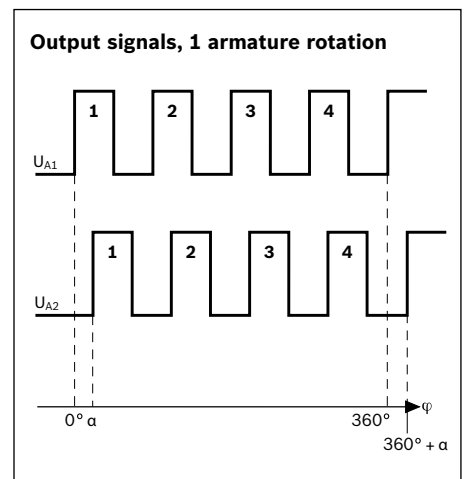
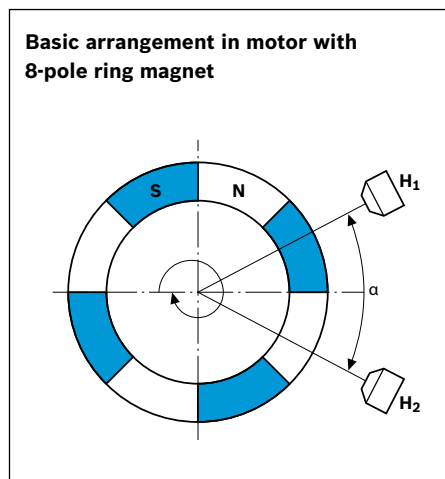
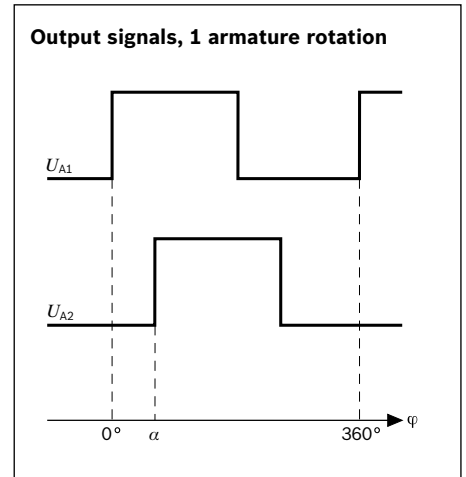
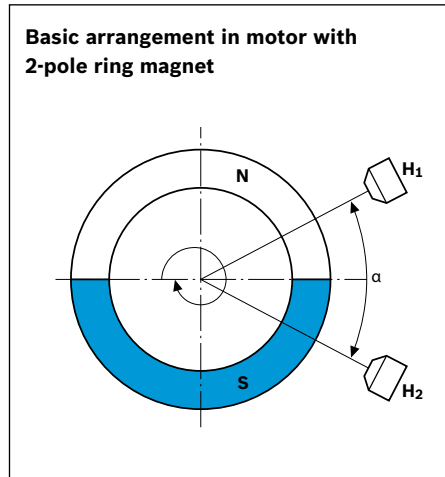
Since the resulting Hall voltages are extremely small, they are amplified. When using silicon Hall elements, the circuit for signal processing (e.g. a Schmitt trigger with subsequent driver) are integrated directly onto the same chip. This component is then designated a Hall-IC. The output is a transistor with open collector, with which a switching function is realized.

Permanently connected to the armature shaft is a magnetic ring, the magnetic field of which permeates the Hall element. When the armature shaft rotates, the magnetomotive-force direction in the Hall element changes. The output transistor is then either switched through or open.



**Hall-effect applications in D.C. motors**

By counting the generated output-voltage pulses, one can determine the number of rotations and thus the speed. If the rotational motion is converted into a linear motion, it then becomes possible to monitor the adjustment travel exactly. If there are two Hall generators installed offset to each other at a specific angle  $\alpha$  in a motor, then the direction of rotation can also be determined.



**Basic arrangement in motor**

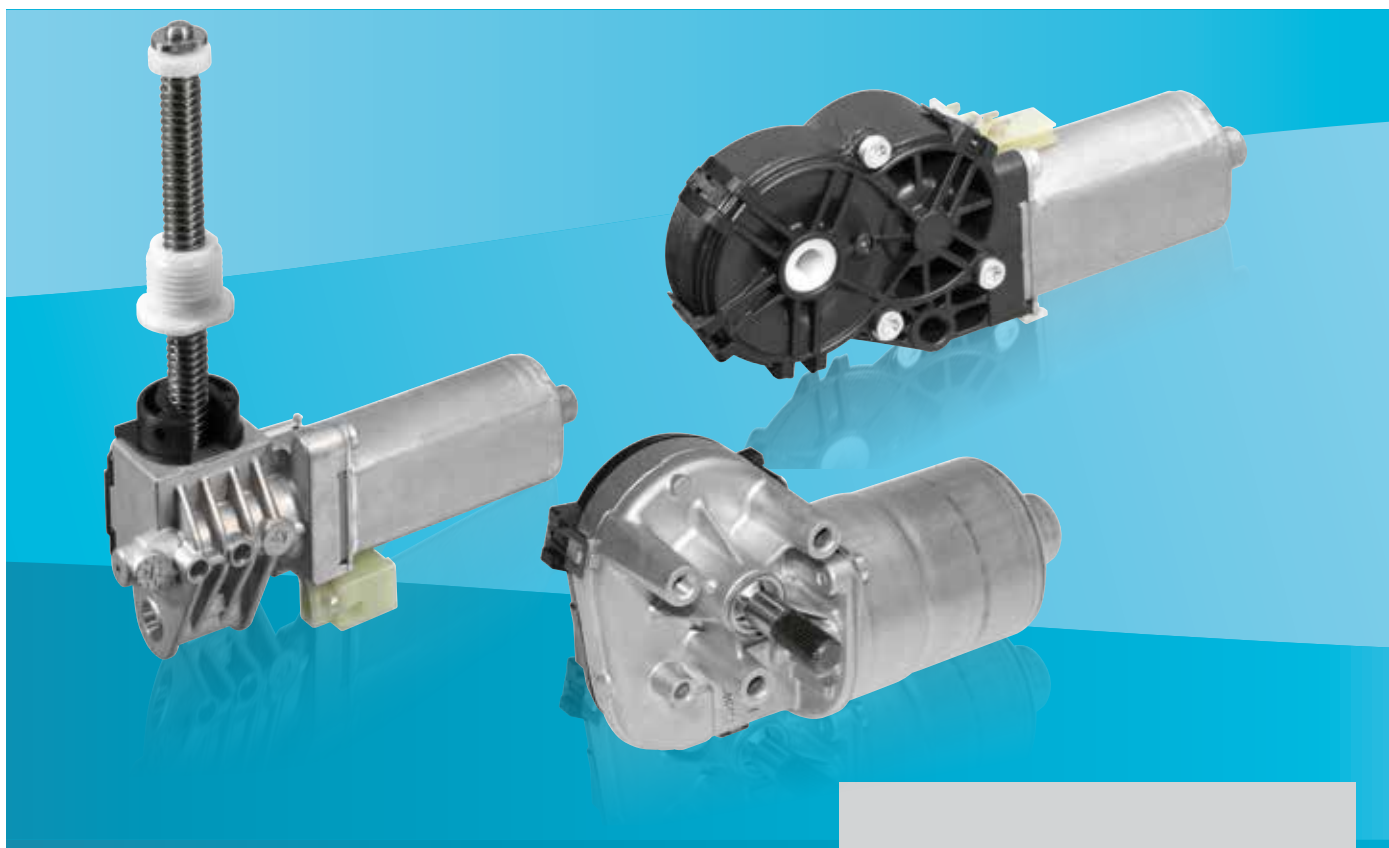
- $H_1, H_2$  Hall generator
- N North pole
- S South pole
- $\alpha$  Angle between the two Hall generators

**Output signals**

- $U_{A1}$  Output voltage of first Hall generator
- $U_{A2}$  Output voltage of second Hall generator
- $\alpha$  Angle between the two Hall generators
- $\varphi$  Rotational angle



## D.C. motors with transmission



Bosch electric motors with transmission provide suitable solutions for almost every application. They provide a wide range of performance and are highly versatile in their application. The new generation of Bosch adjustment motors have a compact design in terms of installation space and weight. In addition to this, they are characterized by features such as low noise volume and robustness.

The desired speed can easily be regulated by changing the voltage. The direction of rotation can be inverted by changing over  $+/-$ . Maximum torque is available during the startup phase.

### Application examples

#### Automotive technology:

Flap positioning for climate control, air proportioning and distribution, wiper motors, power-window motors, seat-adjustment motors, adjustment motors

#### Industrial applications:

Control motors, garage-door drives, locking systems, furniture, medical technology etc.

### Product features

- ▶ Wide range of permanently-excited motor-and-gear assemblies
- ▶ D.C. voltage range from 12 to 24 Volt
- ▶ Available with and without self-locking feature

### Advantages for your application

- ▶ A multitude of different sizes and designs for greater flexibility
- ▶ Robust and reliable quality
- ▶ High reliability
- ▶ Favorable price/performance ratio

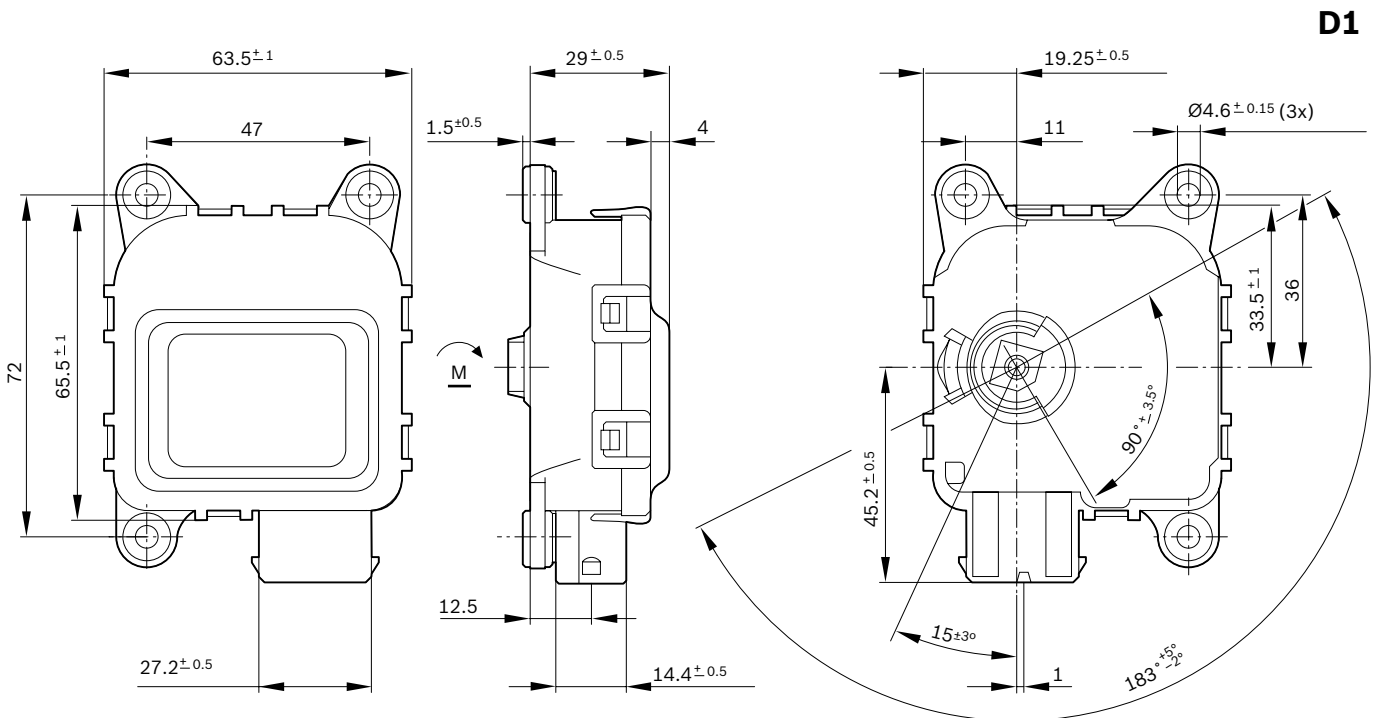
VMC



**Family features:**

- ▶ With and without potentiometer
- ▶ Operation mode: S2
- ▶ Direction of rotation: CCW/CW
- ▶ Compact and robust design

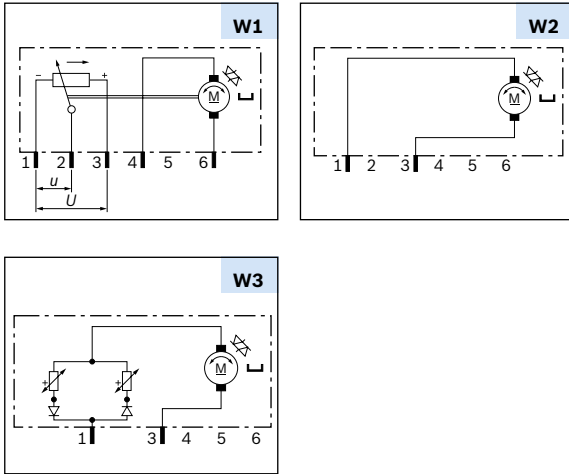
Voltage	Part number	Pn (Nominal power)	In (Nominal current)	nn (Nominal speed)	Mn (Nominal torque)	Ma (Stall torque)	Gear ratio	Direction of rotation	Degree of protection	Signal	Wiring diagram (W)	Drive end (S)	Connector (C)	Performance curve (P)
		W	A	rpm	Nm	Nm				Poti				
12 V	0 132 801 142	0.3	0.18	7	0.4	0.9	310:1	CCW/CW	IP 40	No	W2	S1	C1	P2
	0 132 801 169	0.2	0.15	4.5	0.4	0.9	405:1	CW/CCW	IP 40	Yes	W1	S3	C2	P5
	0 132 801 156	0.2	0.13	6.5	0.3	0.9	310:1	CW/CCW	IP 40	No	W2	S4	C2	P4
24 V	0 132 801 143	0.3	0.10	6	0.4	0.9	405:1	CCW/CW	IP 40	No	W3	S1	C1	P3
	0 132 801 141	0.3	0.10	6	0.4	0.9	405:1	CCW/CW	IP 54	Yes	W1	S2	C1	P1



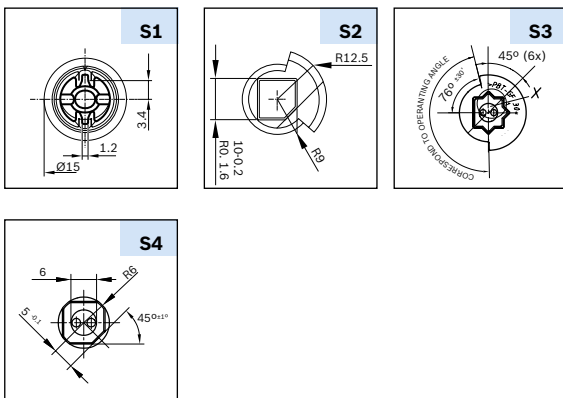


# VMC

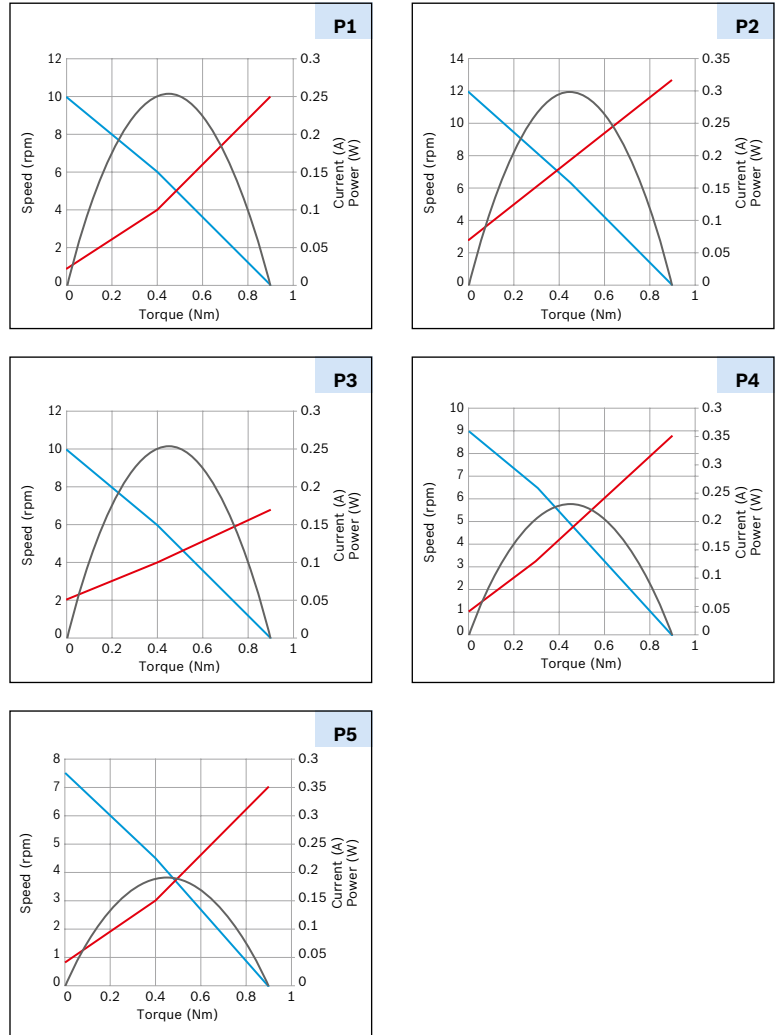
## Wiring diagram (W)



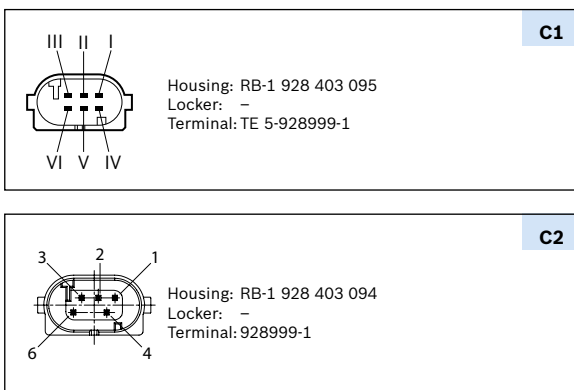
## Drive end (S)



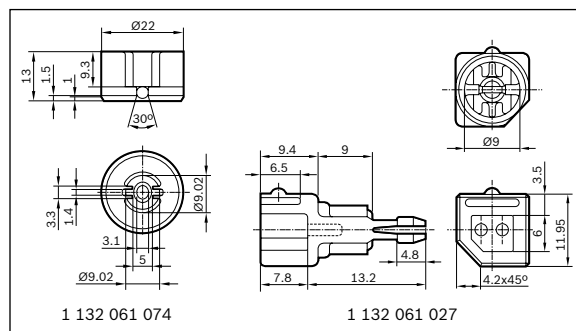
## Performance curve (P)



## Mating connector (C)



## Accessories



# AHC1

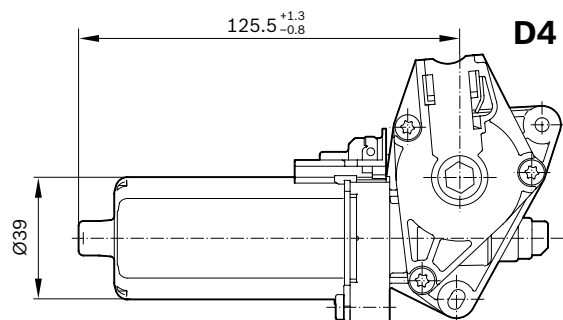
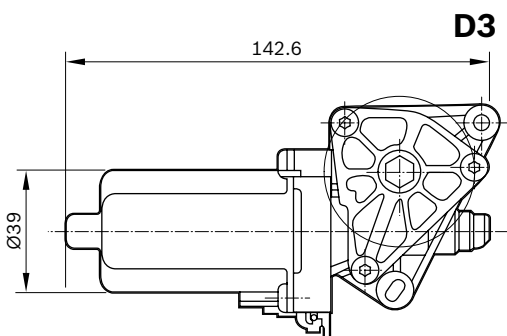
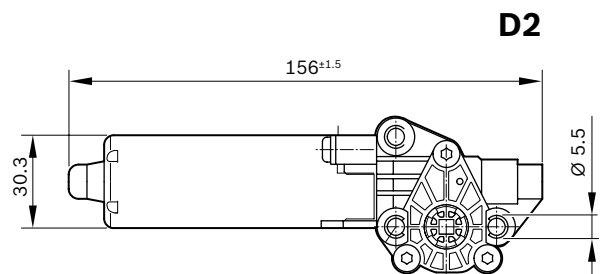
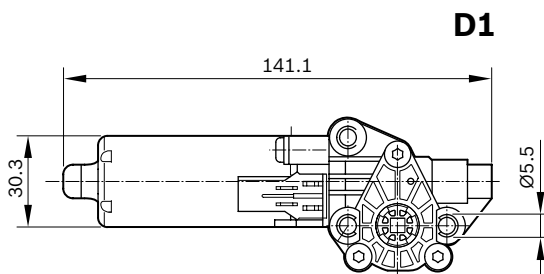


## Family features:

- ▶ With and without hall sensor
- ▶ Degree of protection: IP 50
- ▶ Operation mode: S2
- ▶ Hollow shaft
- ▶ Direction of rotation: CCW/CW

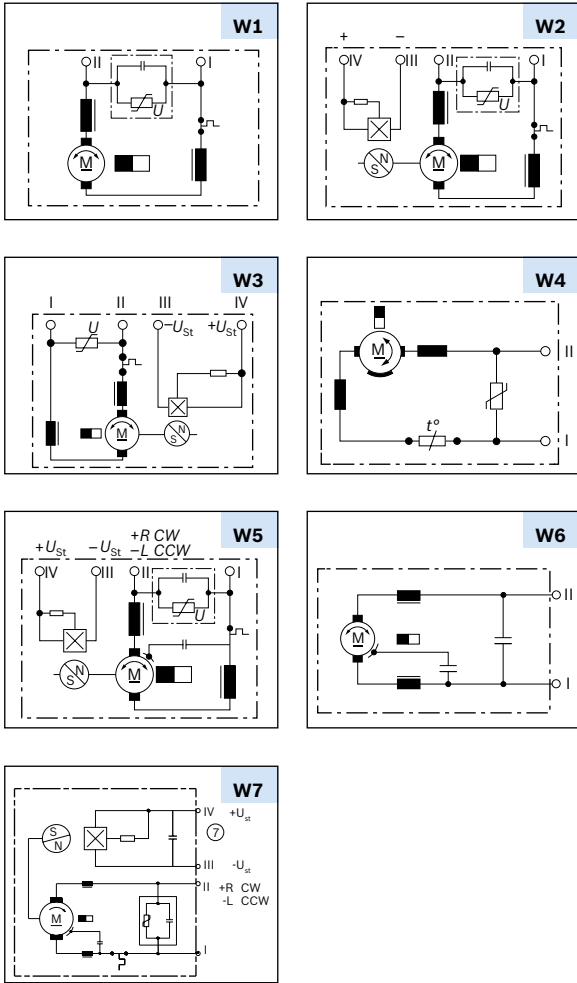
Voltage	Part number	P <sub>n</sub> (Nominal power) W	I <sub>n</sub> (Nominal current) A	n <sub>n</sub> (Nominal speed) rpm	M <sub>n</sub> (Nominal torque) Nm	M <sub>a</sub> (Stall torque) Nm	Gear ratio	Signal	Side**	Dimensional drawing (D)	Wiring diagram (W)	Drive end (S)	Connector (C)	Performance curve (P)
12 V	0 390 201 900	8.8	5	845	0.1	1.05	27:4	No	R	D1	W1	S1	C1	P1
	0 390 201 912	8.8	5	845	0.1	1.05	27:4	No	L	D1	W1	S1	C1	P1
	0 390 201 902	8.8	5	845	0.1	1.05	27:4	Yes	R	D1	W2	S1	C2	P1
	0 390 201 914	8.8	5	845	0.1	1.05	27:4	Yes	L	D1	W2	S1	C2	P1
	0 390 203 371	12.9	4	411	0.3	1.5	27:4	Yes	L	D2	W2	S2	C2	P6
	0 390 201 901	8.6	5	820	0.1	1.5	27:4	No	R	D2	W1	S1	C1	P2
	0 390 201 903	8.6	5	820	0.1	1.5	27:4	Yes	R	D2	W2	S1	C2	P2
	0 390 201 915	8.6	5	820	0.1	1.5	27:4	Yes	L	D2	W2	S1	C2	P2
	0 390 203 370	6.6	3.8	210	0.3	2.8	28:2	Yes	L	D2	W5	S2	C2	P7
	0 390 203 431	13.2	7	63	2	5.8	50:1	Yes	L	D3	W3	S3	C2	P3
0 390 203 389	2.4	2	75	0.3	1.8	29:1	Yes	L	D1	W7	S2	C2	P8	
24 V	0 390 203 314	8.8	3.2	841	0.1	1.85	27:4	No	R	D2	W4	S2	C1	P4
	0 390 203 315	8.8	3.2	841	0.1	1.85	27:4	No	L	D2	W4	S2	C1	P4
	0 390 203 316	8.8	3.2	841	0.1	1.85	27:4	Yes	R	D2	W3	S2	C2	P4
	0 390 203 317	8.8	3.2	841	0.1	1.85	27:4	Yes	L	D2	W3	S2	C2	P4
	0 390 203 386	15.6	4.8	99.5	1.5	11	50:1	2x Hall*	L	D4	W6	S3	C1	P5

\* Optional (0 986 196 002) / \*\*gear housing left: L, gear housing right: R

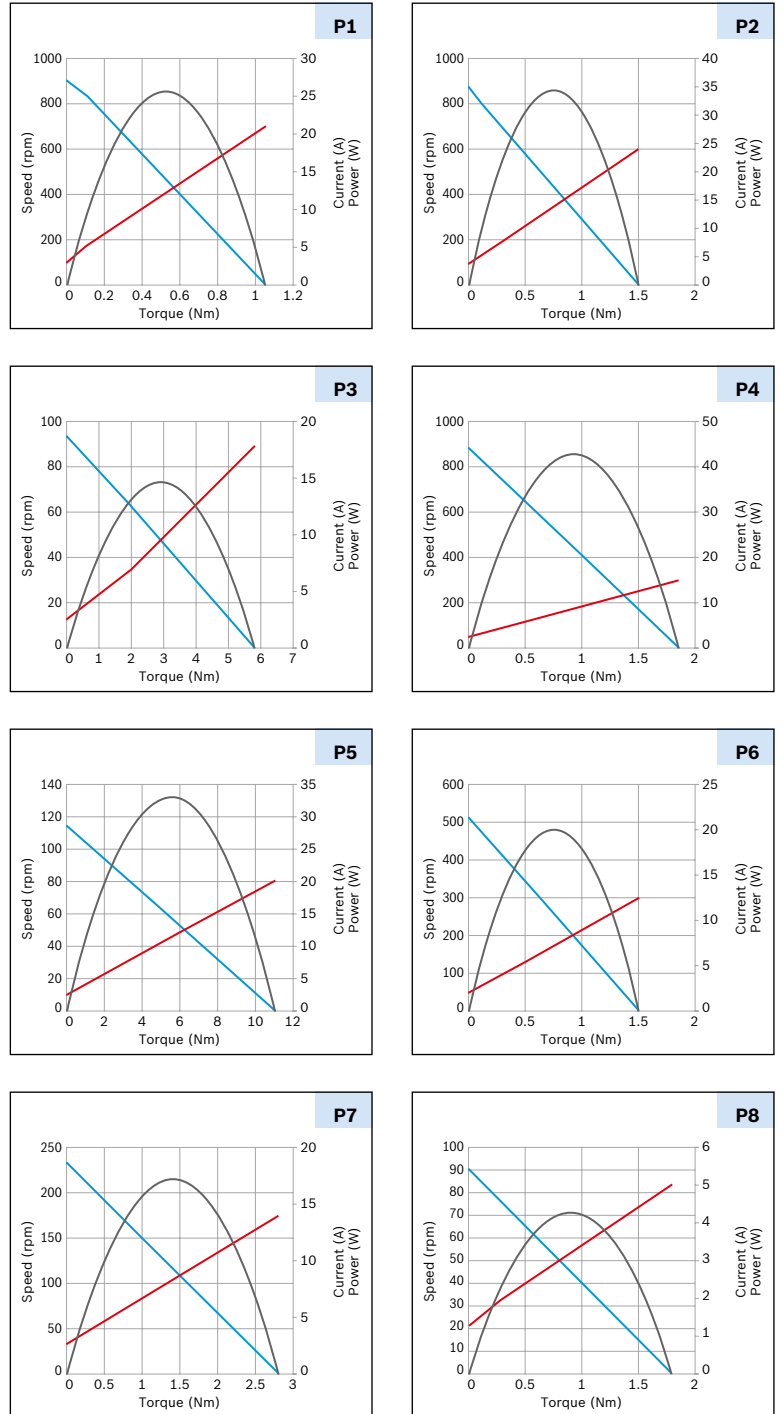


# AHC1

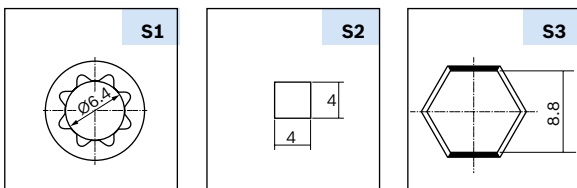
## Wiring diagram (W)



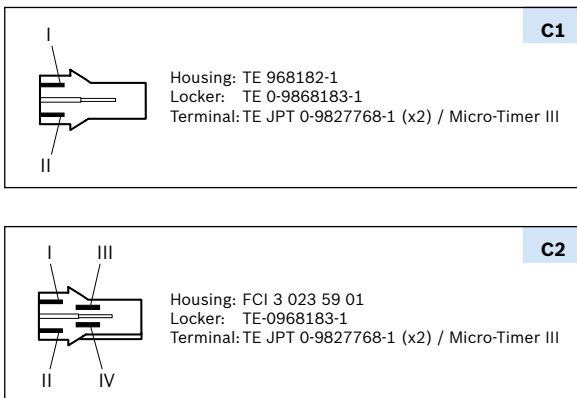
## Performance curve (P)



## Drive end (S)



## Mating connector (C)



## AHC2

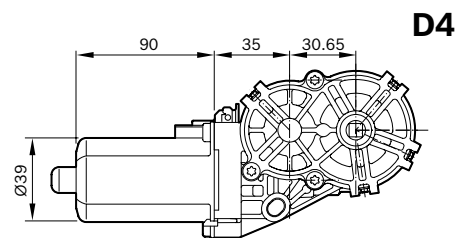
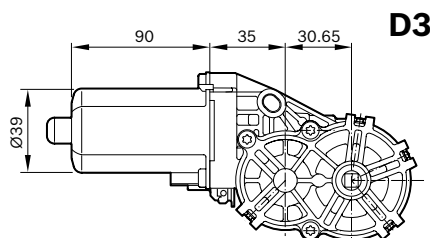
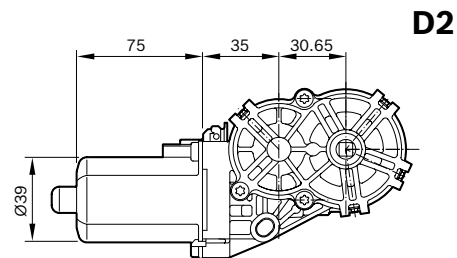
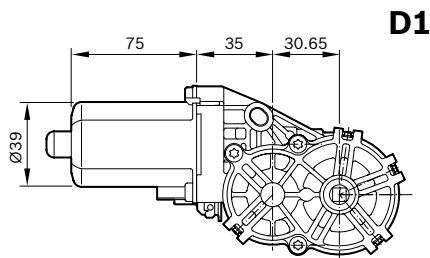


### Family features:

- ▶ With and without hall sensor
- ▶ Degree of protection: IP 50
- ▶ Operation mode: S2
- ▶ Direction of rotation: CCW/CW

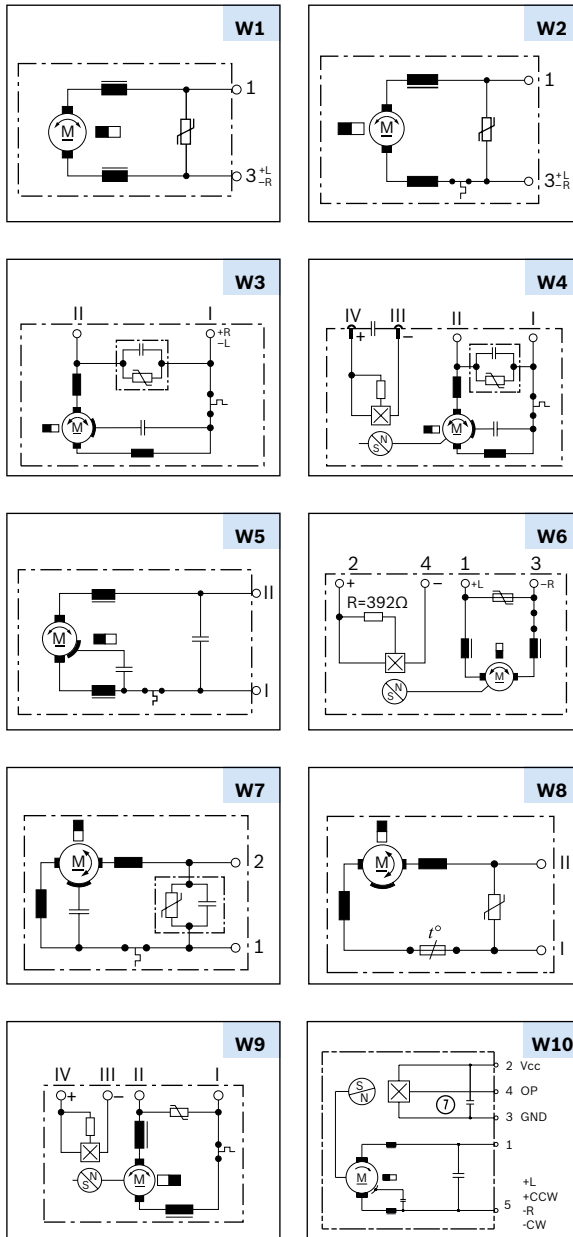
Voltage	Part number	P <sub>n</sub> (Nominal power)	I <sub>n</sub> (Nominal current)	n <sub>n</sub> (Nominal speed)	M <sub>n</sub> (Nominal torque)	M <sub>a</sub> (Stall torque)	Gear ratio	Signal	Side*	Dimensional drawing (D)	Wiring diagram (W)	Drive end (S)	Connector (C)	Performance curve (P)
		W	A	rpm	Nm	Nm		Hall						
12 V	0 390 203 228	3.9	2.8	37.3	1	10.35	182:2	No	R	D1	W5	S1	C1	P4
	0 390 201 972	4.7	4	22.5	2	19	185.5:1	Yes	R	D3	W6	S1	C2	P2
	0 390 201 973	4.7	4	22.5	2	19	185.5:1	No	R	D3	W1	S1	C2	P2
	0 390 201 944	6	6	28.5	2	20	185.5:1	No	R	D1	W7	S4	C1	P1
	0 390 201 999	4.7	4	22.5	2	19	185.5:1	No	R	D3	W2	S1	C2	P2
	0 390 203 224	3.9	3.7	18.65	2	21.5	217:1	No	R	D3	W3	S2	C1	P3
	0 390 203 225	3.9	3.7	18.65	2	21.5	217:1	No	L	D4	W3	S2	C1	P3
	0 390 203 226	3.9	3.7	18.65	2	21.5	217:1	Yes	R	D3	W4	S2	C3	P3
	0 390 203 227	3.9	3.7	18.65	2	21.5	217:1	Yes	L	D4	W4	S2	C3	P3
	0 390 201 950	6.1	6	29	2	20.5	185.5:1	No	R	D1	W3	S3	C1	P1
	0 390 203 266	3.5	4.2	22.25	1.5	23	185.5:1	No	R	D1	W3	S1	C1	P5
	0 390 201 949	2.5	3.6	23.6	1	14.5	185.5:1	No	R	D1	W3	S1	C1	P7
	0 390 203 306	3.9	3.7	18.65	2	23.9	217:1	No	R	D3	W3	S5	C1	P8
	0 390 203 307	3.9	3.7	18.65	2	23.9	217:1	No	L	D4	W3	S5	C1	P3
	0 390 203 308	3.9	3.7	18.65	2	23.9	217:1	Yes	R	D3	W4	S5	C3	P3
	0 390 203 309	3.9	3.7	18.65	2	23.9	217:1	Yes	L	D4	W4	S5	C3	P3
0 390 203 372	1.5	1.8	14.1	1	27.5	217:1	Yes	R	D3	W10	S2	C4	P9	
24 V	0 390 203 310	3.5	2	16.9	2	23.3	217:1	No	R	D3	W8	S3	C1	P6
	0 390 203 311	3.5	2	16.9	2	23.3	217:1	No	L	D4	W8	S3	C1	P6
	0 390 203 312	3.5	2	16.9	2	23.3	217:1	Yes	R	D3	W9	S3	C3	P6
	0 390 203 313	3.5	2	16.9	2	23.3	217:1	Yes	L	D4	W9	S3	C3	P6

\*Gear housing left: L, gear housing right: R

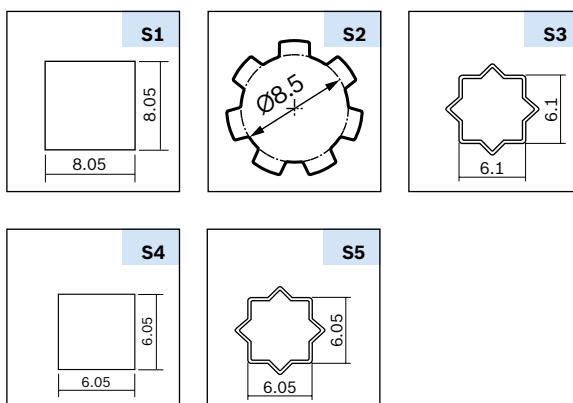


# AHC2

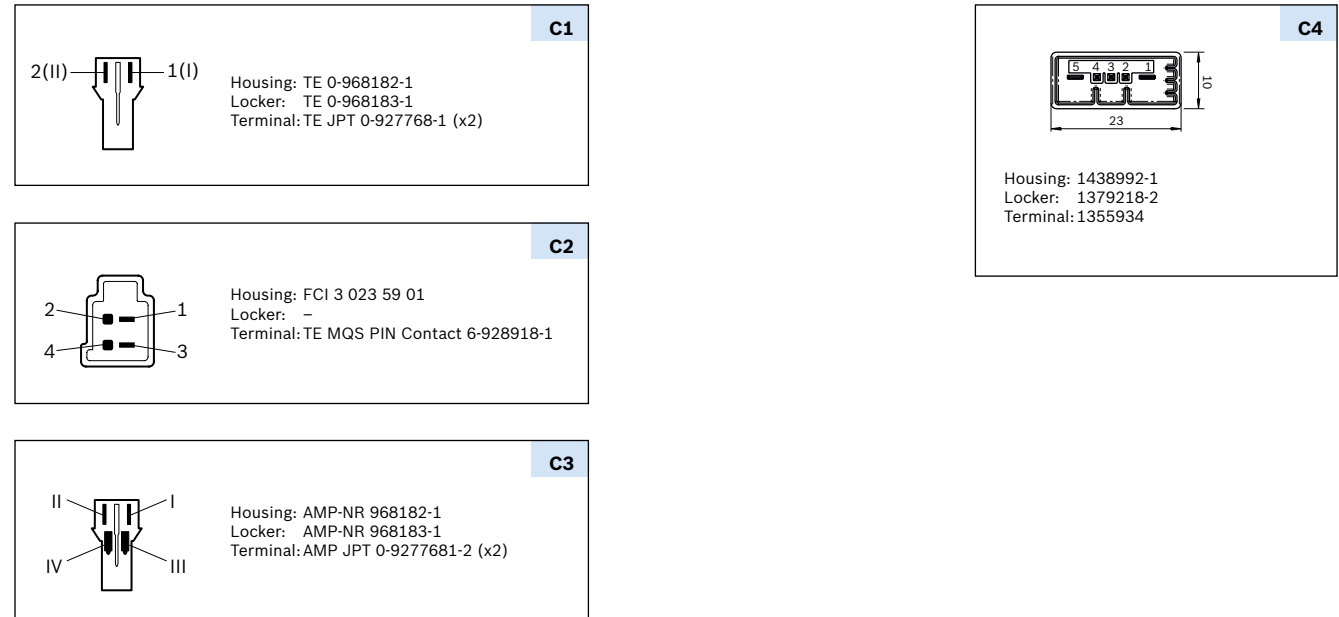
## Wiring diagram (W)



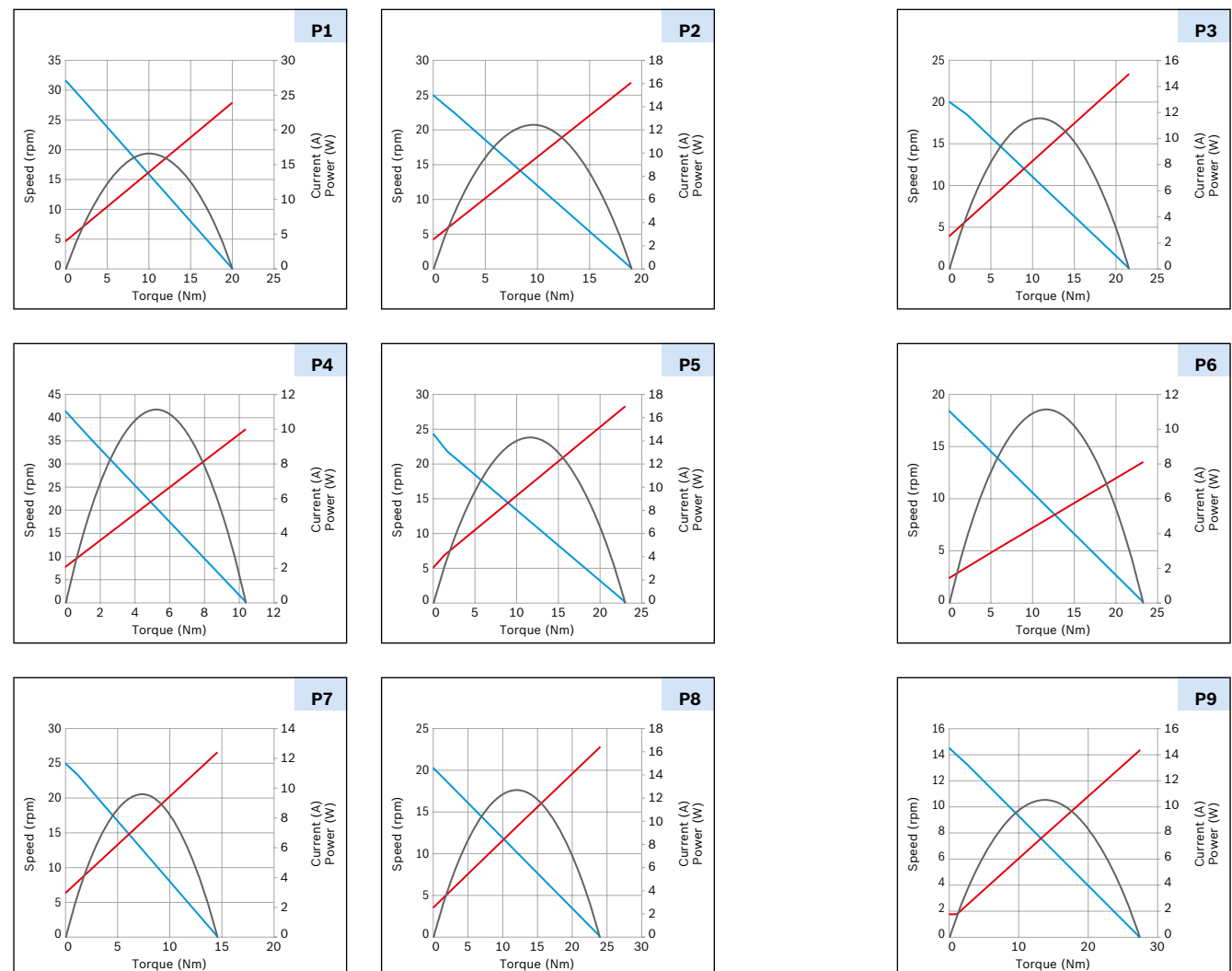
## Drive end (S)



## Mating connector (C)



## Performance curve (P)





## FPG2

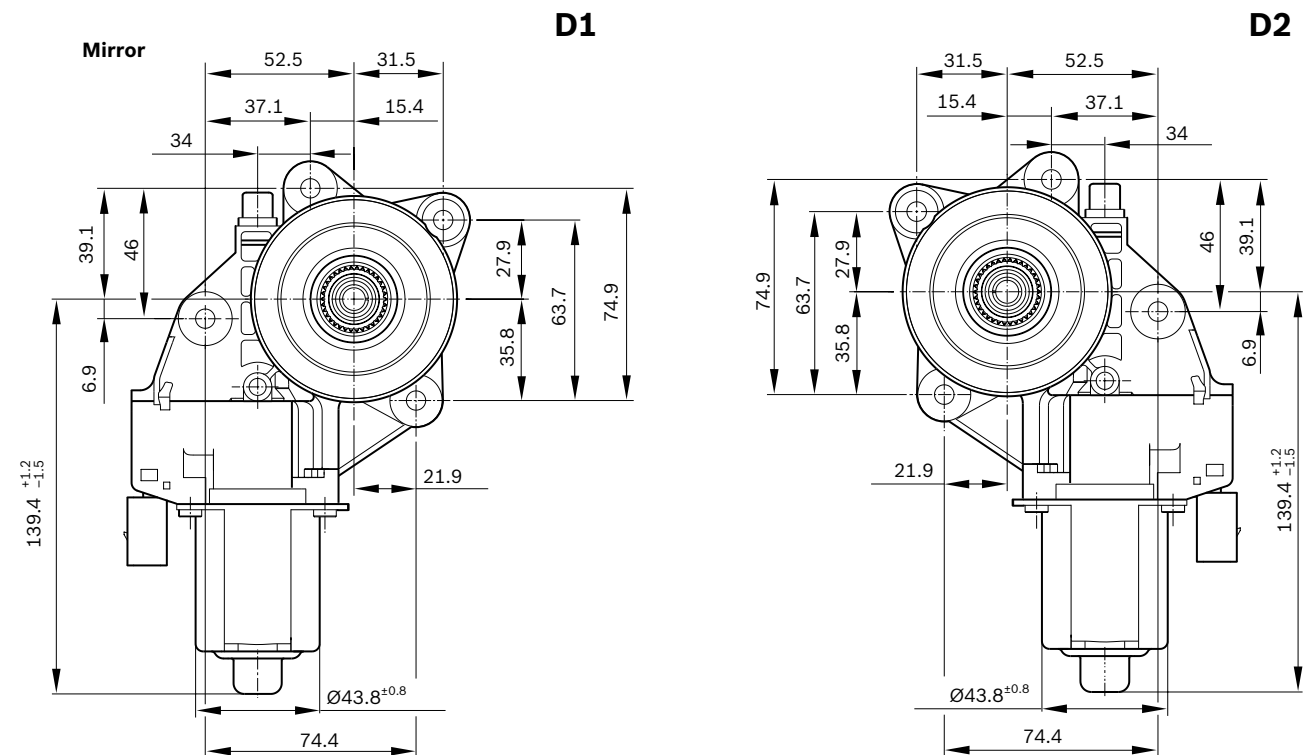


### Family features:

- ▶ Double-hall sensor available
- ▶ Degree of protection: IP 54
- ▶ Operating mode: S2
- ▶ Direction of rotation: CCW/CW

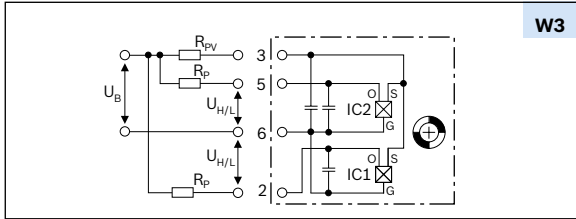
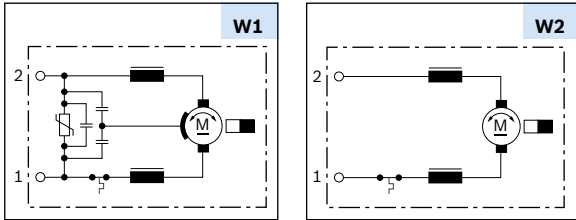
Voltage	Part number	P <sub>n</sub> (Nominal power) W	I <sub>n</sub> (Nominal current) A	n <sub>n</sub> (Nominal speed) rpm	M <sub>n</sub> (Nominal torque) Nm	M <sub>a</sub> (Stall torque) Nm	Gear ratio	Signal	Side*	Dimensional drawing (D)	Wiring diagram (W)	Drive end (S)	Connector (C)	Performance curve (P)
12 V	0 130 822 488	7.8	6	74.5	1	13.7	73:1	No	R	D1	W1	S1	C1	P1
	0 130 822 489	7.8	6	74.5	1	13.7	73:1	No	L	D2	W1	S1	C1	P1
	0 130 822 492	7.8	6	74.5	1	13	73:1	2x	R	D1	W1 + W3	S1	C2	P3
	0 130 822 493	7.8	6	74.5	1	13	73:1	2x	L	D2	W1 + W3	S1	C2	P3
24 V	0 130 822 490	8.2	3	78.5	1	13.7	73:1	No	R	D1	W2	S1	C1	P2
	0 130 822 494	8.2	3	78.5	1	13.7	73:1	2x	R	D1	W3	S1	C2	P2
	0 130 822 495	8.2	3	78.5	1	13.7	73:1	2x	L	D2	W3	S1	C2	P2

\*Gear housing left: L, gear housing right: R

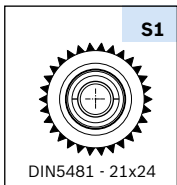


# FPG2

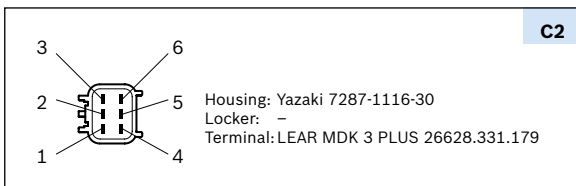
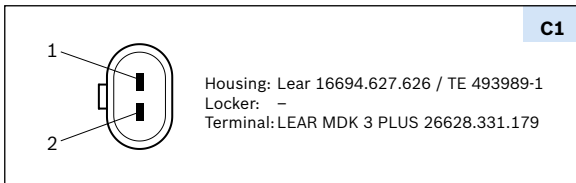
## Wiring diagram (W)



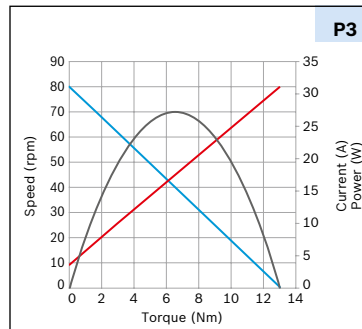
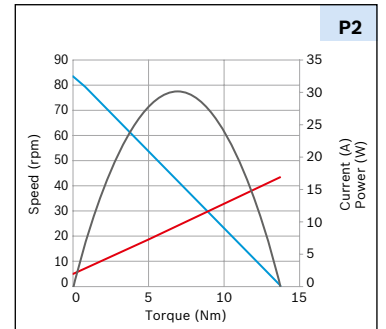
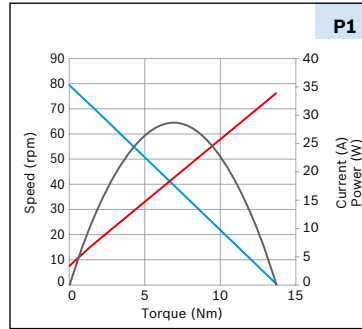
## Drive end (S)



## Mating connector (C)



## Performance curve (P)



## FPG EVO

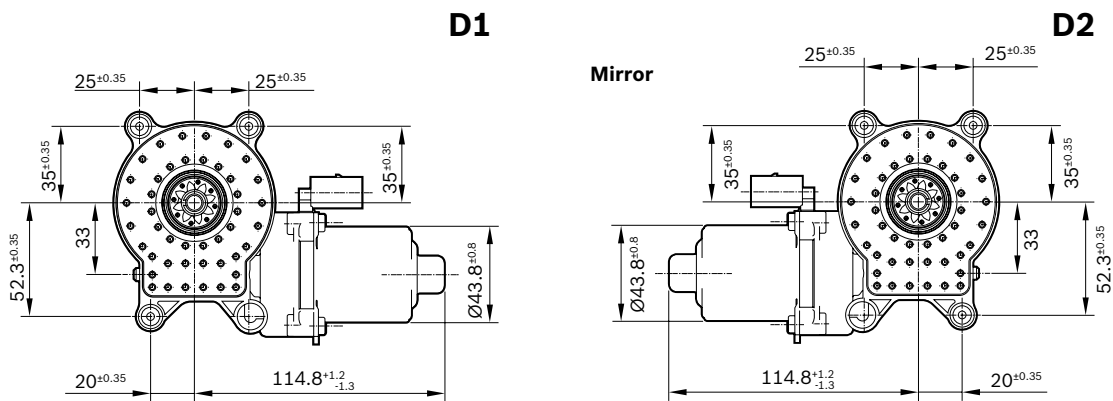


### Family features:

- ▶ Ripple function
- ▶ Degree of protection: IP 5X
- ▶ Operation mode: S2 – 5min
- ▶ Direction of rotation: CCW/CW

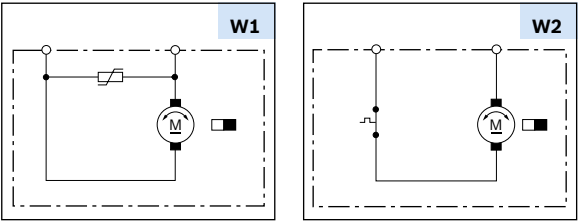
Voltage	Part number	P <sub>n</sub> (Nominal power)	I <sub>n</sub> (Nominal current)	n <sub>n</sub> (Nominal speed)	M <sub>n</sub> (Nominal torque)	M <sub>a</sub> (Stall torque)	Gear ratio	Signal	Side*	Dimensional drawing (D)	Wiring diagram (W)	Drive end (S)	Connector (C)	Performance curve (P)
		W	A	rpm	Nm	Nm		ripple						
12 V	F 006 B40 702	8.6	6	82	1	10	73:1	Yes	R	D1	W1	S1	C1	P1
	F 006 B40 703	8.6	6	82	1	10	73:1	Yes	L	D2	W1	S1	C1	P1
	F 006 B49 680	8.6	6	82	1	10	73:1	Yes	R	D1	W2	S2	C1	P1
	F 006 B49 681	8.6	6	82	1	10	73:1	Yes	L	D2	W2	S2	C1	P1
	F 006 B49 780	8.6	6	82	1	10	73:1	Yes	R	D1	W2	S3	C1	P1
	F 006 B49 781	8.6	6	82	1	10	73:1	Yes	L	D2	W2	S3	C1	P1

\*Gear housing left: L, gear housing right: R

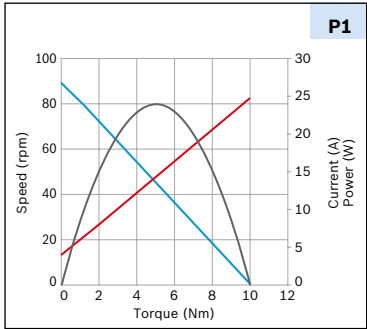


# FPG EVO

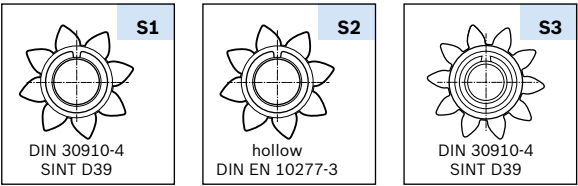
## Wiring diagram (W)



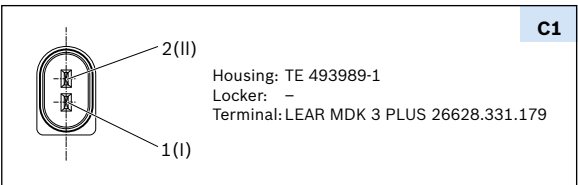
## Performance curve (P)



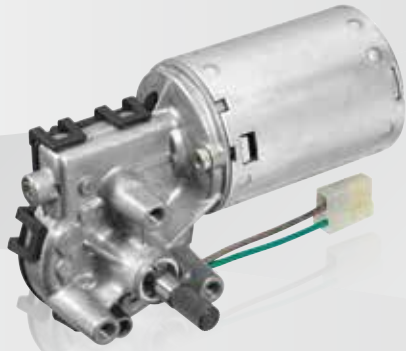
## Drive end (S)



## Mating connector (C)



**CHP**

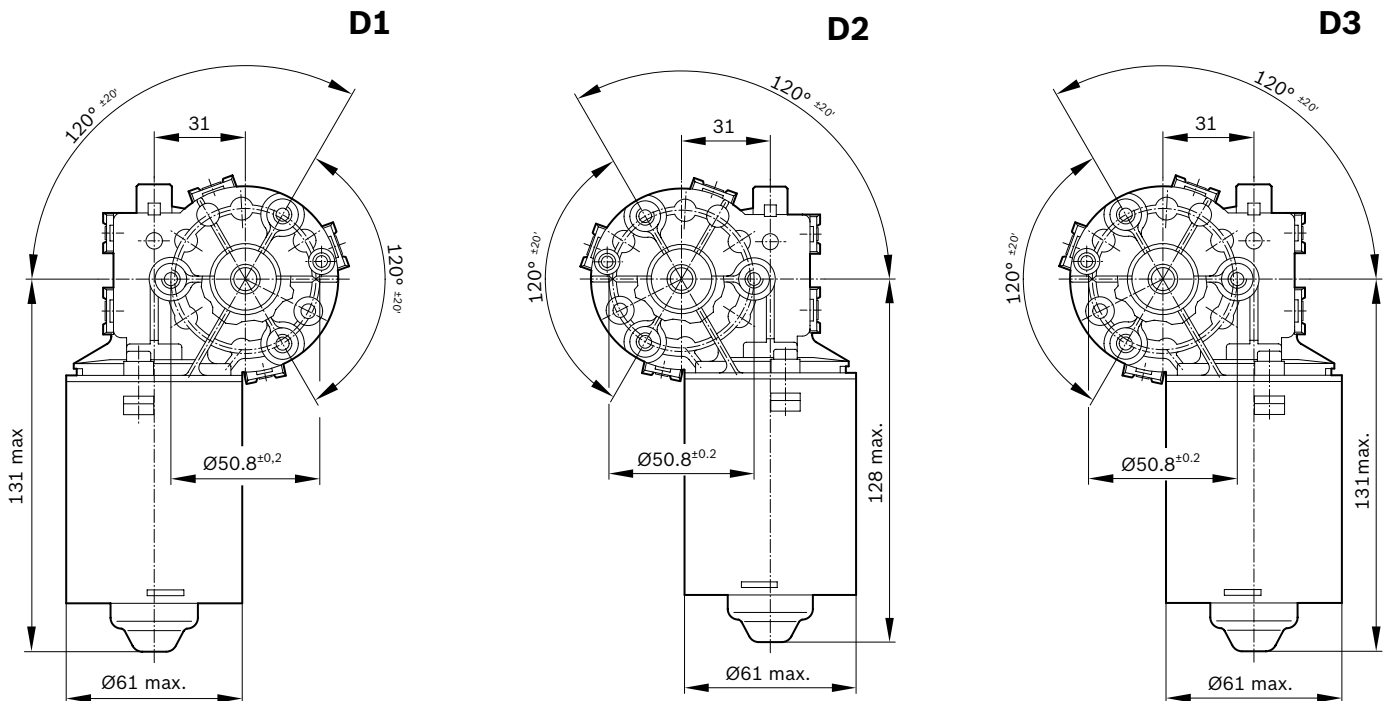


**Family features:**

- ▶ Degree of protection: IP 23
- ▶ Operation mode: S1
- ▶ Direction of rotation: CCW/CW

Voltage	Part number	P <sub>n</sub> (Nominal power)	I <sub>n</sub> (Nominal current)	n <sub>n</sub> (Nominal speed)	M <sub>n</sub> (Nominal torque)	M <sub>a</sub> (Stall torque)	Gear ratio	Signal	Side*	Dimensional drawing (D)	Wiring diagram (W)	Drive end (S)	Connector (C)	Performance curve (P)
		W	A	rpm	Nm	Nm		Hall						
12 V	F 006 B20 093	28.1	9	167.5	1.6	16	52:2	No	R	D1	W3	S1	C1	P1
	F 006 B20 092	20.7	4.5	44	4.5	27	69:1	No	L	D2	W2	S2	-	P7
24 V	F 006 B20 103	18.8	3.1	180	1	10	52:2	No	R	D1	W3	S1	C1	P9
	F 006 B20 101	11.3	2	108	1	18	52:2	No	L	D3	W3	S6	C1	P3
	F 006 B20 102	41.9	5.5	160	2.5	12	52:2	No	R	D1	W4	S5	C1	P6
	F 006 B20 099	13.1	2.5	125	1	15	52:2	No	L	D3	W3	S5	C1	P4
	F 006 B20 100	13.1	2.5	125	1	15	52:2	No	R	D1	W3	S5	C1	P4
	F 006 B20 095	7.7	3.5	49	1.5	15	55:1	No	R	D1	W4	S7	-	P5
	F 006 B20 096	9.7	1.5	37	2.5	27	55:1	No	L	D2	W1	S3	C1	P8
	F 006 B20 179	11.3	2	108	1	18	52:2	No	L	D3	W3	S6	C1	P11
	F 006 B20 097	16.7	5.3	66.5	2.4	24	69:1	No	L	D3	W3	S3	-	P2
	F 006 B20 098	13.6	4	54	2.4	24	55:1	No	L	D3	W3	S4	C1	P10

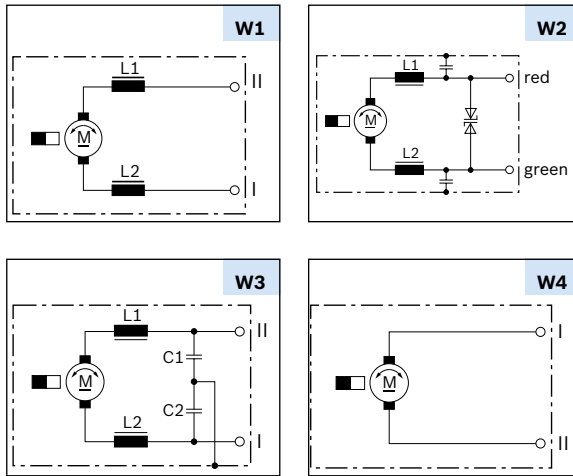
\*Gear housing left: L, gear housing right: R





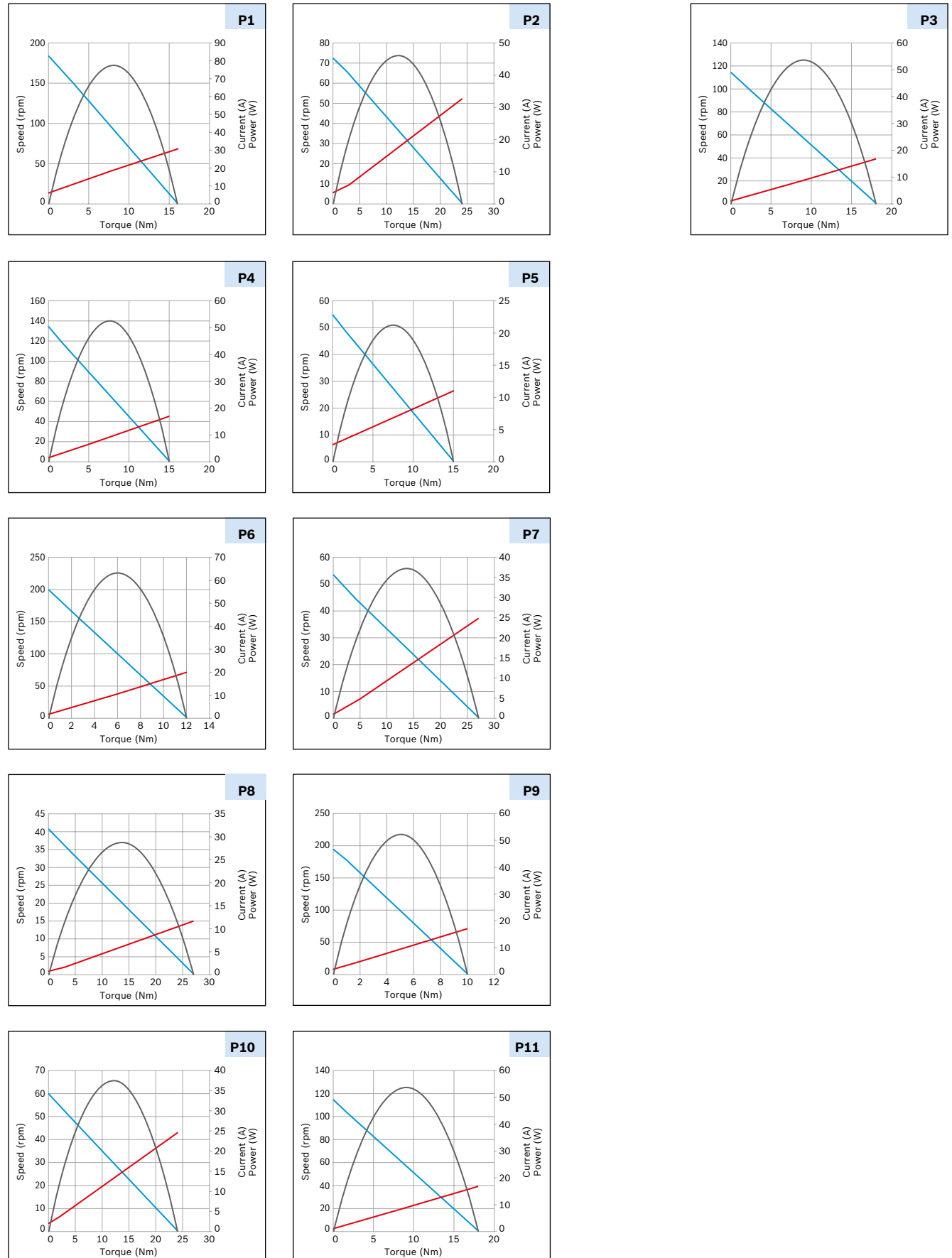
# CHP

## Wiring diagram (W)

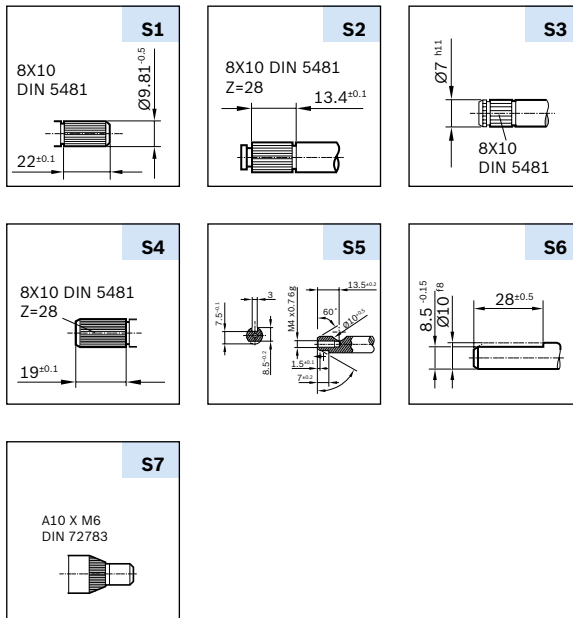


I = green  
II = brown or red

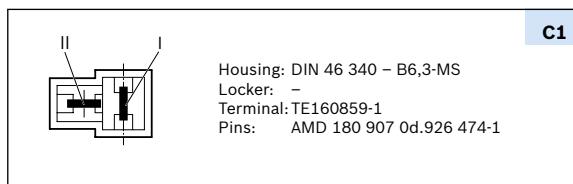
## Performance curve (P)



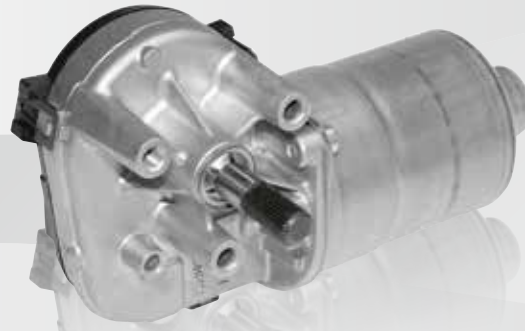
## Drive end (S)



## Mating connector (C)



### CHP3



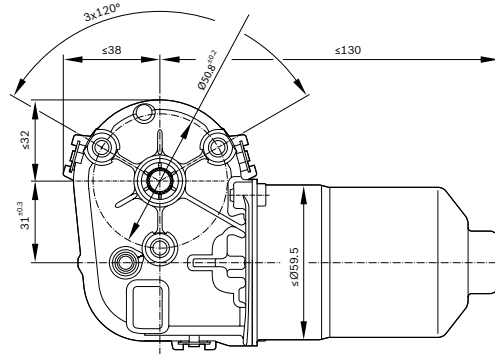
#### Family features:

- ▶ Double-Hall sensor available
- ▶ Degree of protection: IP 23
- ▶ Operation mode: S2/S3
- ▶ Dual-speed motors available

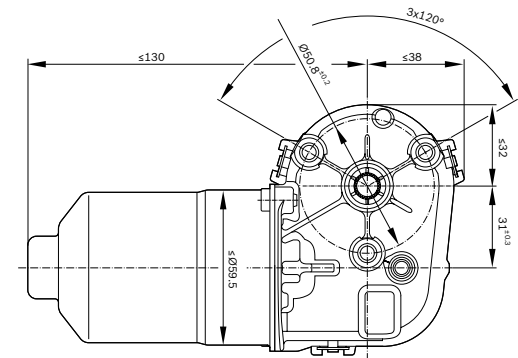
Voltage	Part number	P <sub>n</sub> (Nominal power)	I <sub>n</sub> (Nominal current)	n <sub>n</sub> (Nominal speed)	M <sub>n</sub> (Nominal torque)	M <sub>a</sub> (Stall torque)	Gear ratio	Direction of rotation	Signal	Side*	Dimensional drawing (D)	Wiring diagram (W)	Drive end (S)	Connector (C)	Performance curve (P)
		W	A	rpm	Nm	Nm			Hall						
12 V	0 390 243 610	12.8 / 8.5	4.5 / 3.5	61 / 40.5	2	30 / 35	76:1	CW	No	R	D3	W3	S2	C3	P2
	0 390 243 611	12.8 / 8.5	4.5 / 3.5	61 / 40.5	2	30 / 35	76:1	CCW	No	L	D4	W3	S2	C3	P2
24 V	F 006 B20 410	28.8	3.75	55	5	32	88:1	CCW/CW	2x	R	D1	W2	S1	C1	P1
	F 006 B20 411	28.8	3.75	55	5	32	88:1	CCW/CW	No	R	D1	W1	S1	C2	P1
	F 006 B20 412	28.8	3.75	55	5	32	88:1	CCW/CW	2x	L	D2	W2	S1	C1	P1
	F 006 B20 413	28.8	3.75	55	5	32	88:1	CCW/CW	No	L	D2	W1	S1	C2	P1

\*Gear housing left: L, gear housing right: R

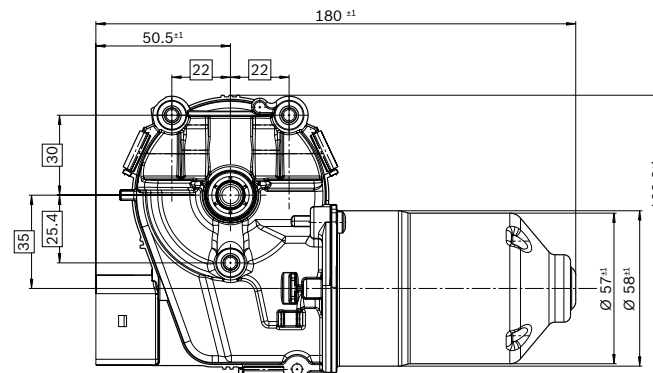
**D1**



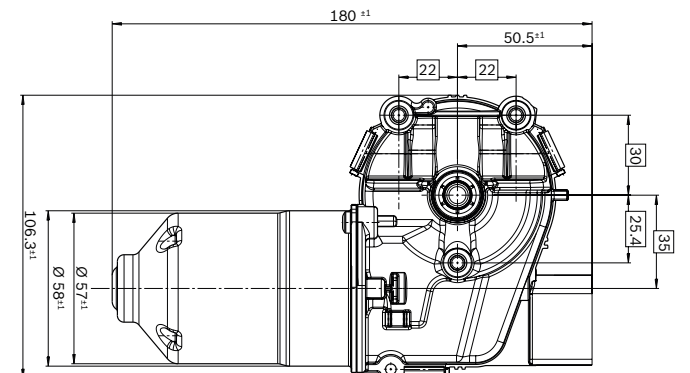
**D2**



**D3**

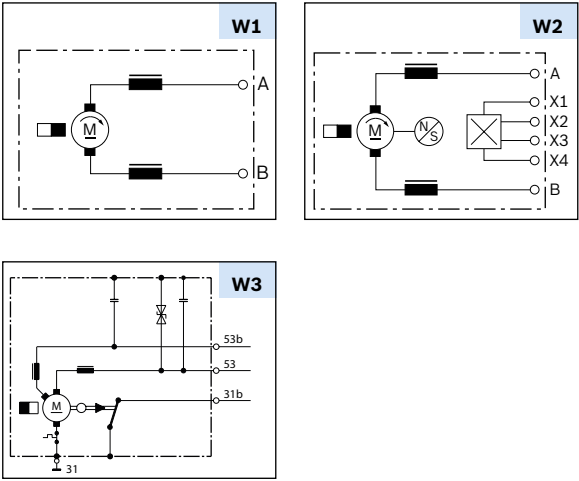


**D4**

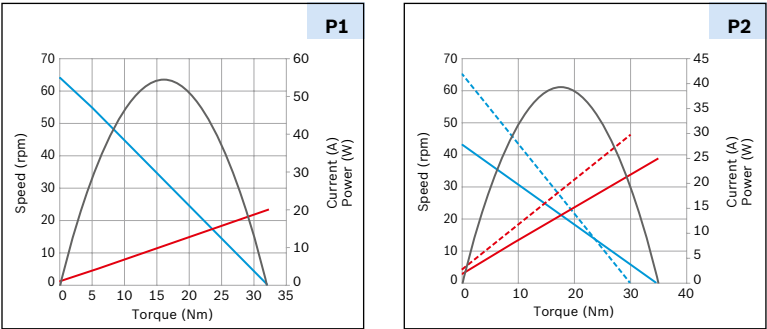


# CHP3

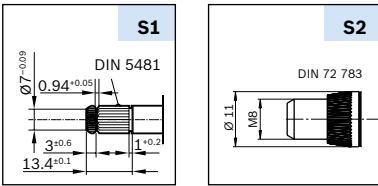
## Wiring diagram (W)



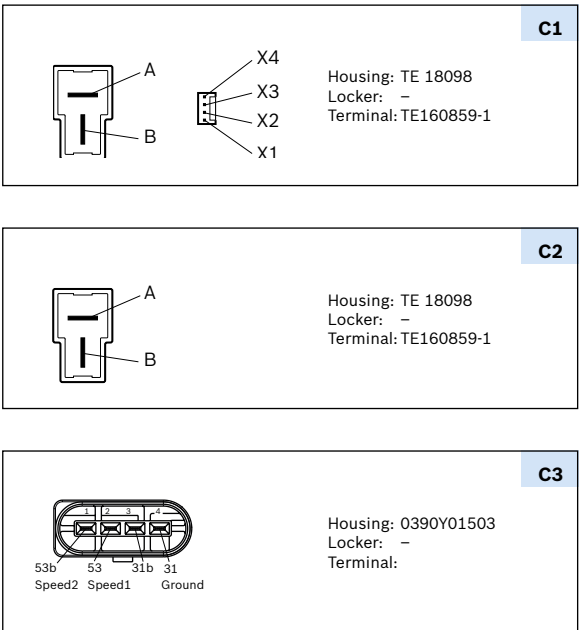
## Performance curve (P)



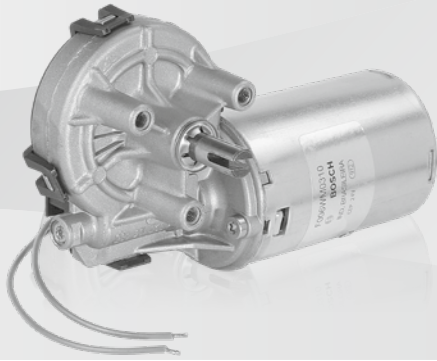
## Drive end (S)



## Mating connector (C)



**CEP**

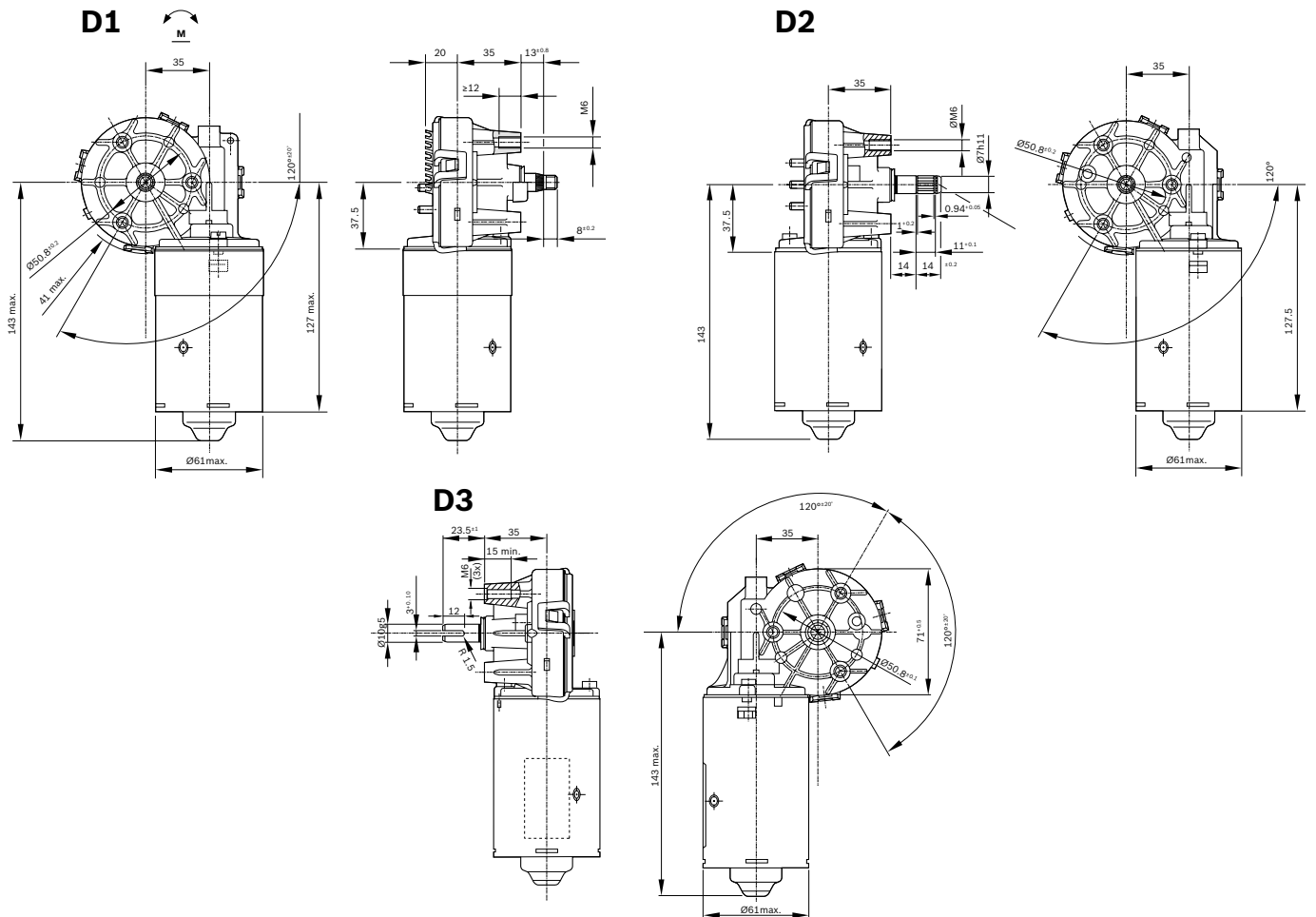


**Family features:**

- ▶ With and without hall sensor
- ▶ Operation mode: S1
- ▶ Dual-speed motors available

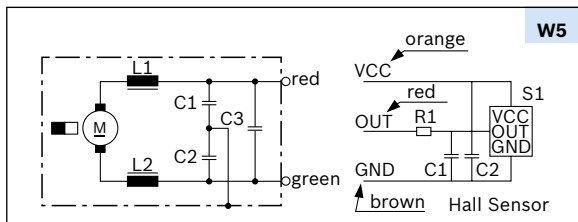
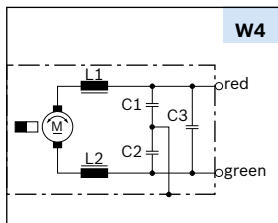
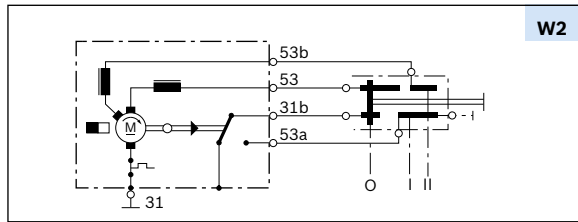
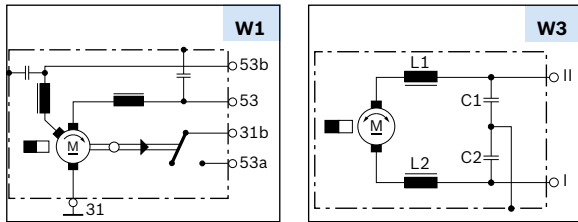
Voltage	Part number	Pn (Nominal power)	In (Nominal current)	nn (Nominal speed)	Mn (Nominal torque)	Ma (Stall torque)	Gear ratio	Direction of rotation	Signal	Side**	Degree of Protection (IP)	Dimensional drawing (D)	Wiring diagram (W)	Drive end (S)	Connector (C)	Performance curve (P)
		W	A	rpm	Nm	Nm			Hall							
12 V	F 006 B20 145*	6.7 ; 10.4	3.5 ; 5.5	32 ; 50	2	23 ; 20	63:1	CCW	No	L	IP53	D1	W1	S1	C1	P3
	F 006 B20 048*	6.9 ; 10.7	2 ; 3	33 ; 51	2	30 ; 23	63:1	CCW	No	L	IP53	D1	W2	S1	C2	P1
	F 006 B20 064*	6.9 ; 10.7	2 ; 3	33 ; 51	2	30 ; 23	63:1	CCW	No	L	IP53	D1	W2	S1	-	P1
24 V	F 006 B20 146*	6.9 ; 10.7	2 ; 3	33 ; 51	2	30 ; 23	63:1	CCW	No	L	IP53	D1	W1	S1	C1	P5
	F 006 B20 106	9.8	3.5	47	2	32.5	79:1	CCW/CW	No	L	IP23	D2	W3	S3	C3	P2
	F 006 B20 360	16	2.4	51	3	35	63:1	CCW/CW	Yes	R	IP23	D3	W5	S2	C4	P4
	F 006 WM0 310	16	2.4	51	3	35	63:1	CCW/CW	No	R	IP23	D3	W4	S2	-	P4

\* Motors with two speeds / \*\*gear housing left: L, gear housing right: R

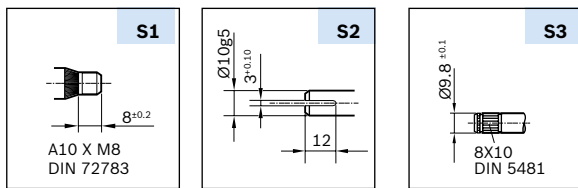


# CEP

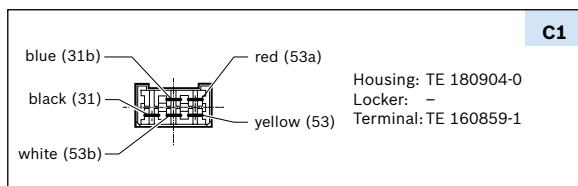
## Wiring diagram (W)



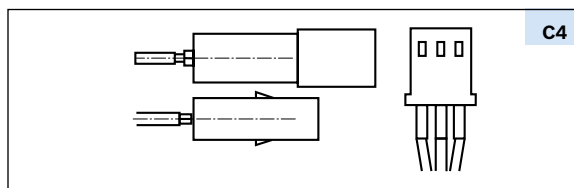
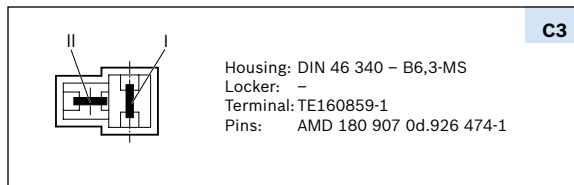
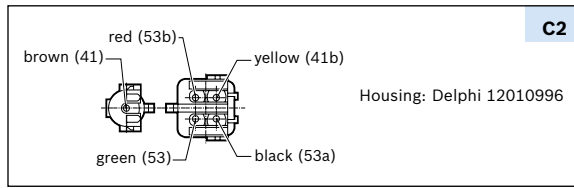
## Drive end (S)



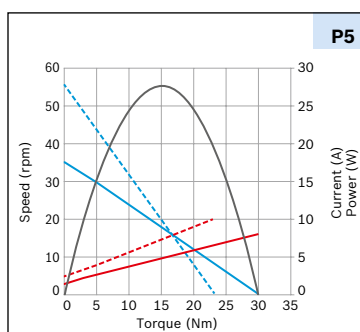
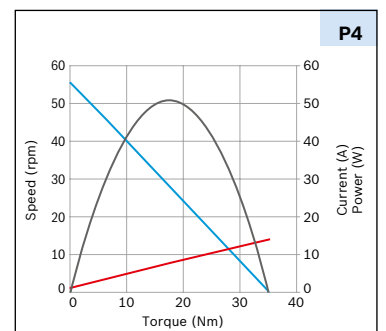
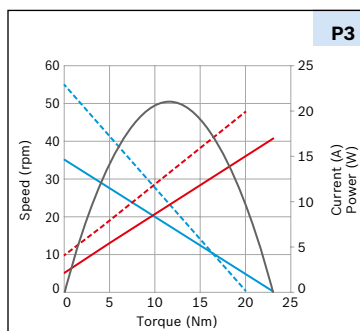
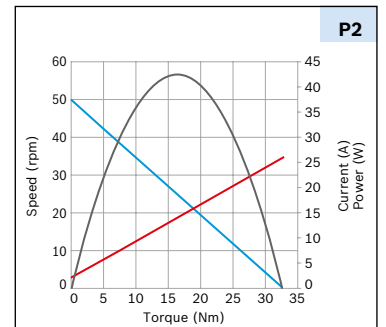
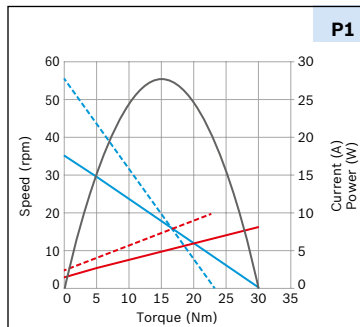
## Mating connector (C)



## Mating connector (C)



## Performance curve (P)



**CDP**

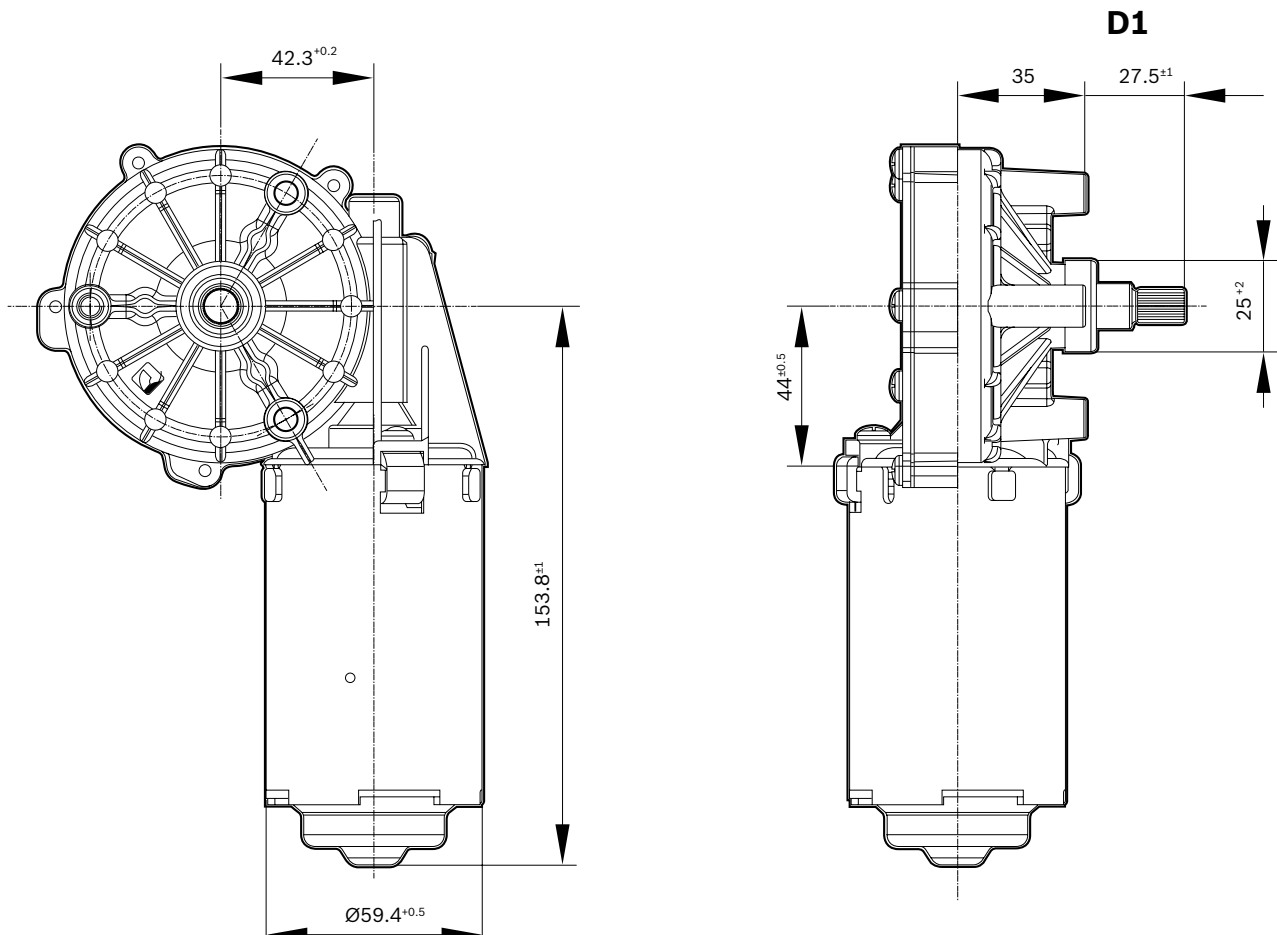


**Family features:**

- ▶ Also with wiper function available
- ▶ Hall sensor available
- ▶ Degree of protection: IP 50
- ▶ Operation mode: S1

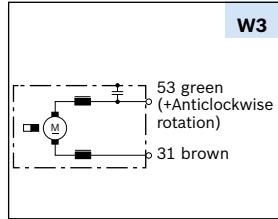
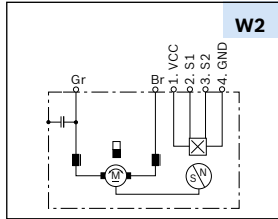
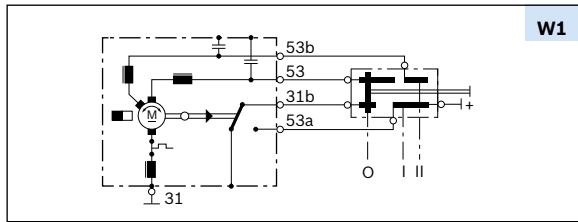
Voltage	Part number	P <sub>n</sub> (Nominal power)	I <sub>n</sub> (Nominal current)	n <sub>n</sub> (Nominal speed)	M <sub>n</sub> (Nominal torque)	M <sub>a</sub> (Stall torque)	Gear ratio	Direction of rotation	Signal	Side**	Dimensional drawing (D)	Wiring diagram (W)	Drive end (S)	Connector (C)	Performance curve (P)
		W	A	rpm	Nm	Nm			Hall						
12 V	0 986 337 225*	14.7 ; 20.9	5.5 ; 8	35 ; 50	4	51 ; 39	2:108	CCW	No	L	D1	W1	S1	C1	P4
	0 986 337 270	50.2	10	42	10	45	2:108	CCW/CW	2x	L	D1	W2	S2	C2	P5
	0 986 337 280	38.7	8.5	37	10	40	1:78	CCW/CW	2x	L	D1	W2	S3	C2	P1
24 V	0 986 337 200*	8.5 ; 13.8	2.75 ; 3.75	27 ; 44	3	50 ; 46	1:78	CCW	No	L	D1	W1	S3	C1	P6
	0 986 337 201	20.9	3.5	40	5	30	2:108	CCW/CW	No	L	D1	W3	S2	-	P7
	0 986 337 209*	8.8 ; 14.4	3 ; 4	28 ; 46	3	50 ; 41	1:78	CCW	No	L	D1	W1	S1	C3	P3
	0 986 337 250	50.2	6	80	6	45	2:108	CCW/CW	2x	L	D1	W2	S2	C2	P2

\* Motors with two speeds / \*\*gear housing left: L, gear housing right: R

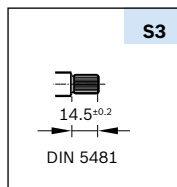
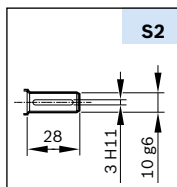
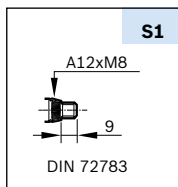


# CDP

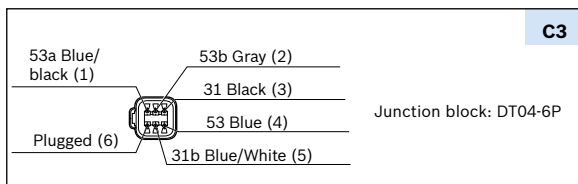
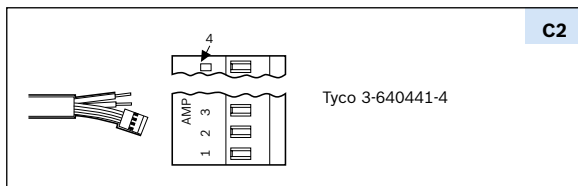
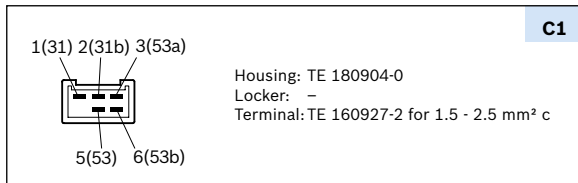
## Wiring diagram (W)



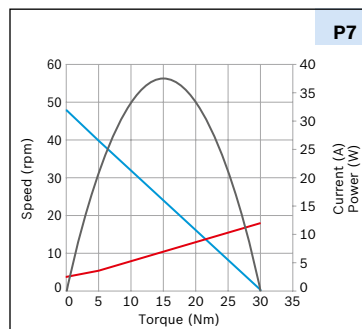
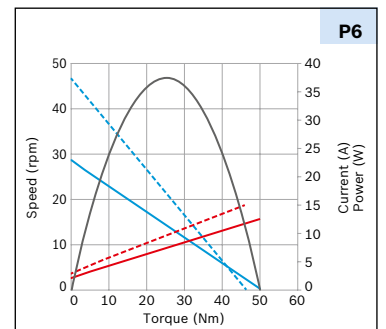
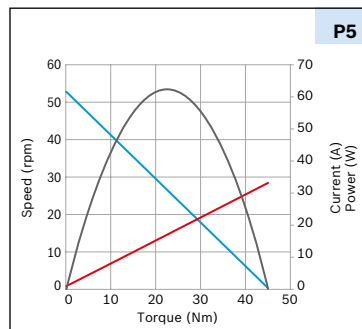
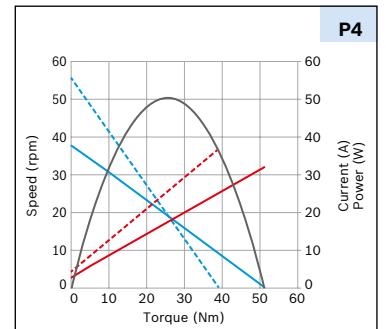
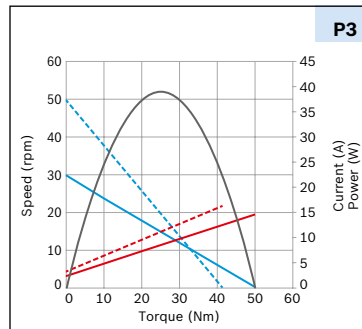
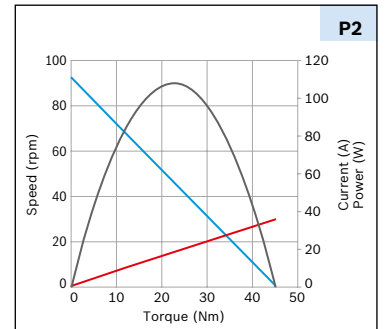
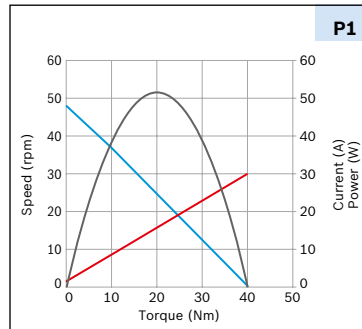
## Drive end (S)



## Mating connector (C)



## Performance curve (P)



EFP

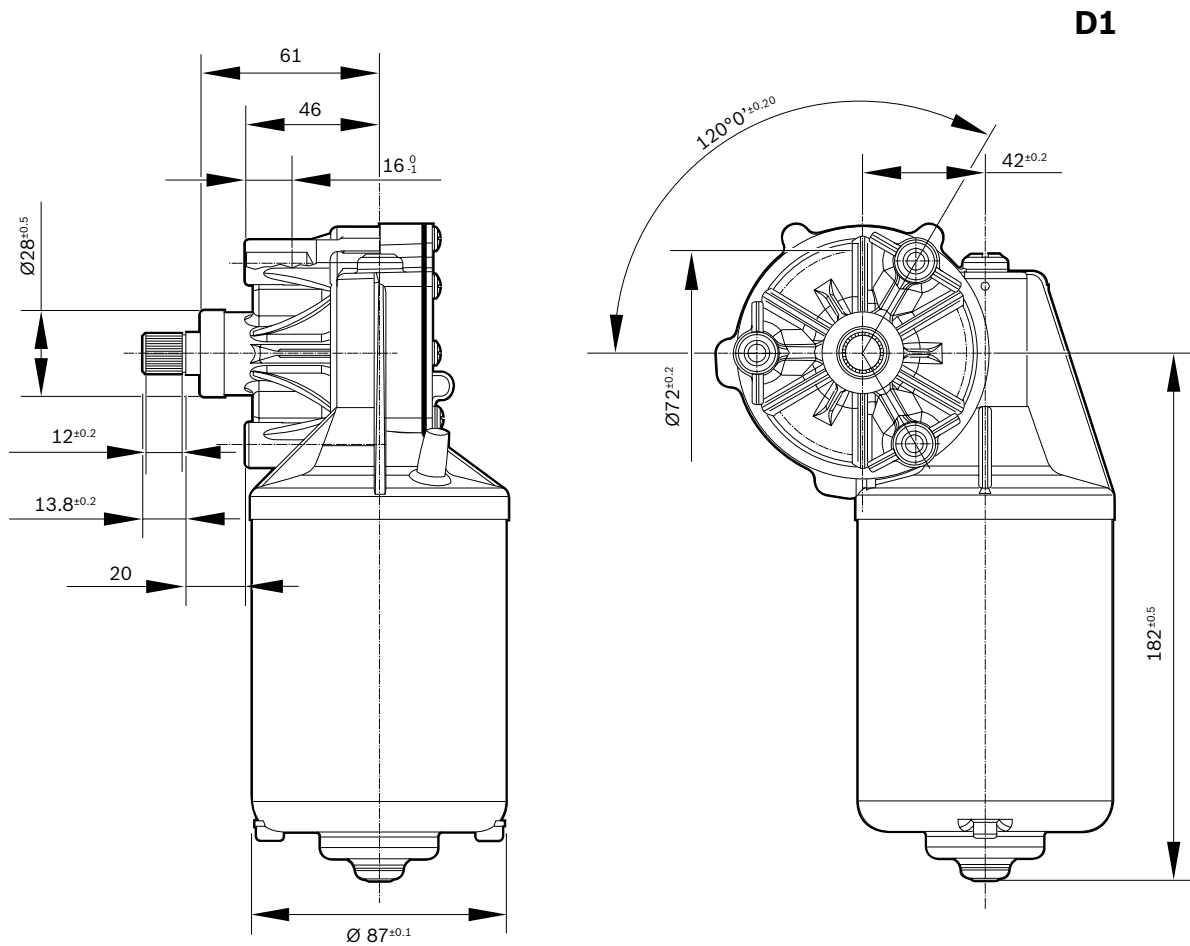


**Family features:**

- ▶ Also with wiper function available
- ▶ Degree of protection: IP 23
- ▶ Operating mode: S1

Voltage	Part number	P <sub>n</sub> (Nominal power)	I <sub>n</sub> (Nominal current)	n <sub>n</sub> (Nominal speed)	M <sub>n</sub> (Nominal torque)	M <sub>a</sub> (Stall torque)	Gear ratio	Direction of rotation	Signal	Side**	Dimensional drawing (D)	Wiring diagram (W)	Drive end (S)	Connector (C)	Performance curve (P)
		W	A	rpm	Nm	Nm			Hall	L					
12 V	0 986 337 400*	8.4 ; 12.5	4.5 ; 6	32 ; 48	2.5	45 ; 40	80:2	CCW	No	L	D1	W1	S1	C1	P4
	0 986 337 411	20.4	5	39	5	70	65:1	CCW/CW	No	L	D1	W2	S1	C2	P6
24 V	0 986 337 401*	9.7 ; 16.3	1.75 ; 2	31 ; 52	3	60 ; 50	80:2	CCW	No	L	D1	W1	S1	C1	P1
	0 986 337 402*	11.3 ; 18.4	2.25 ; 2.75	27 ; 44	4	70 ; 60	65:1	CCW	No	L	D1	W1	S1	C1	P3
	0 986 337 409	65.9	6	63	10	60	80:2	CCW/CW	No	L	D1	W2	S2	C2	P2
	0 986 337 410	73.3	7	70	10	60	80:2	CCW/CW	No	L	D1	W2	S2	C2	P5

\* Motors with two speeds / \*\*gear housing left: L, gear housing right: R

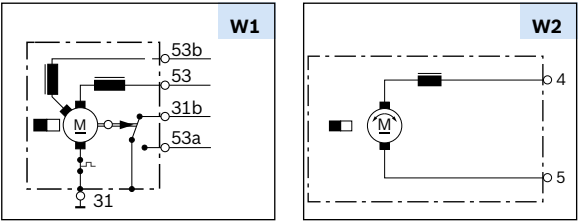


**D1**

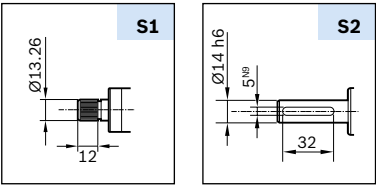


# EFP

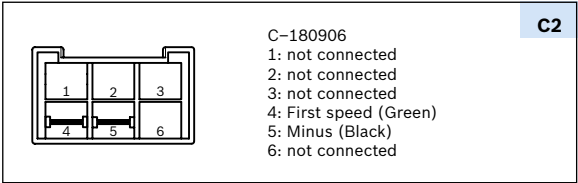
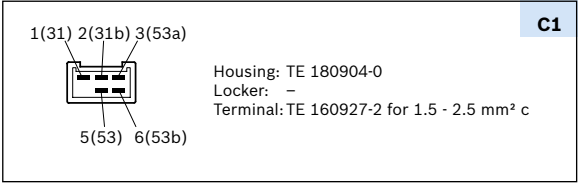
## Wiring diagram (W)



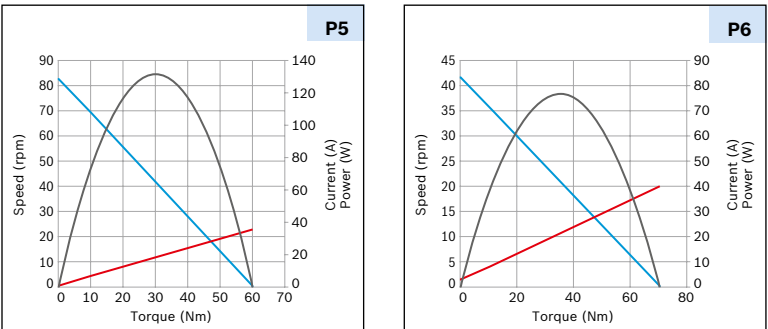
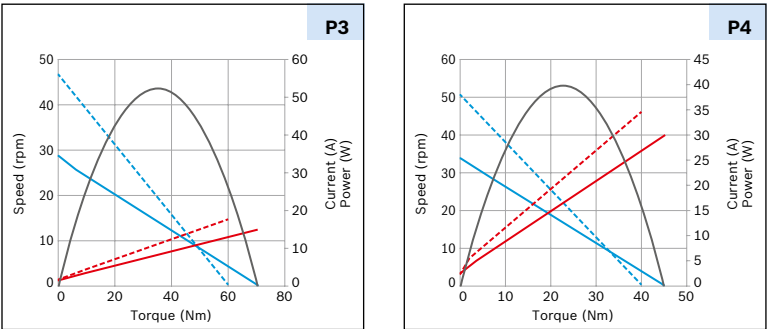
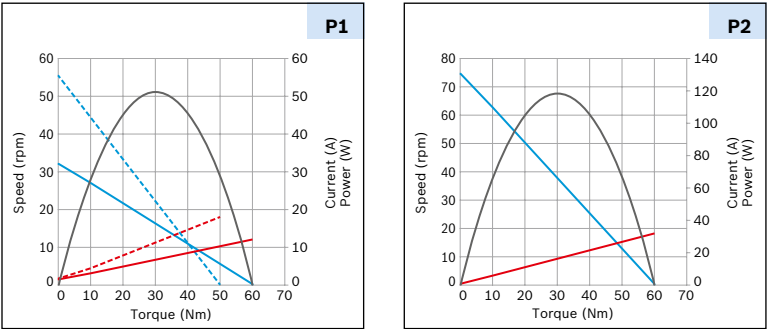
## Drive end (S)



## Mating connector (C)



## Performance curve (P)



EDP

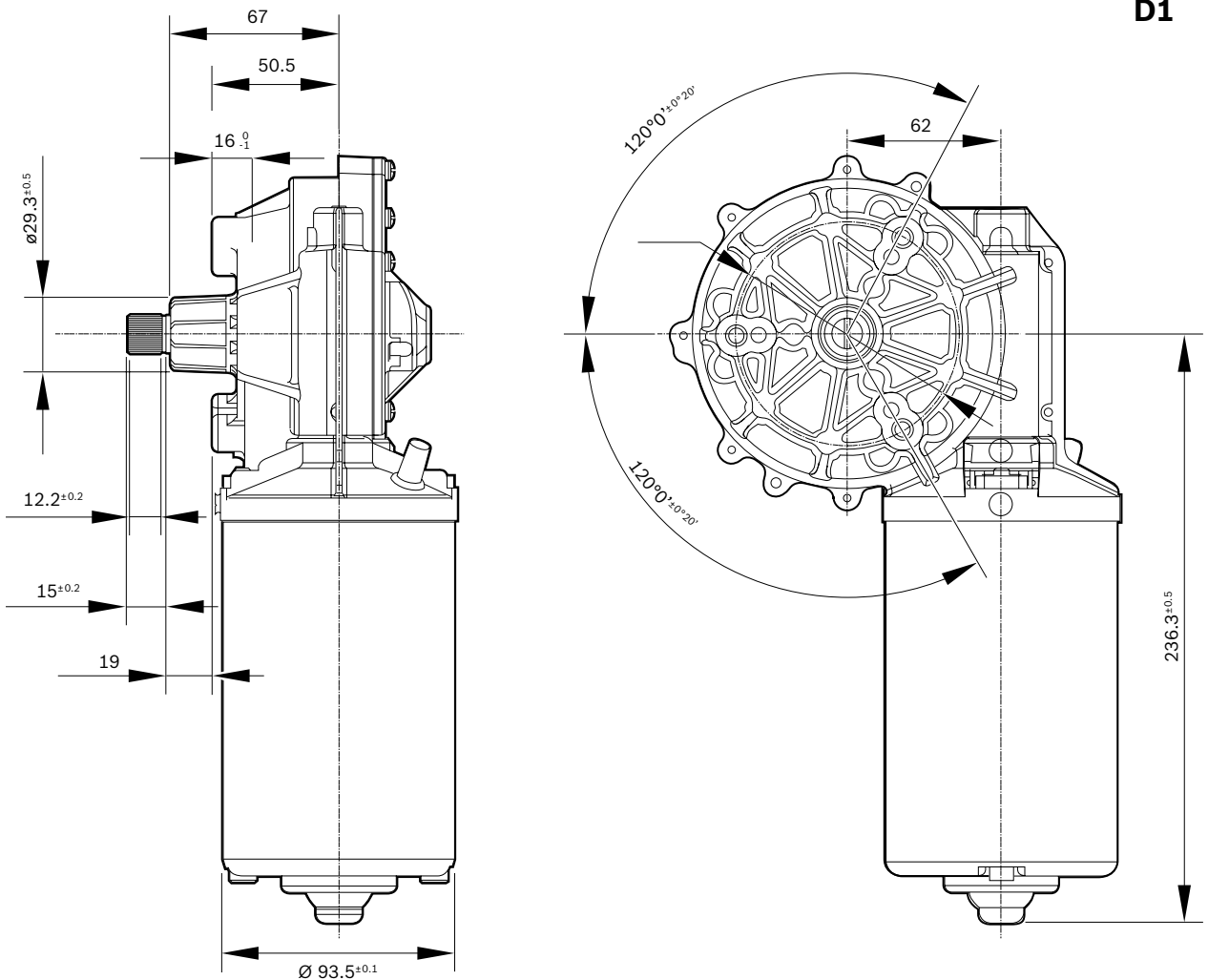


**Family features:**

- ▶ Powerful 2-speed motor
- ▶ Degree of protection: IP 23
- ▶ Operating mode: S1
- ▶ Direction of rotation: CCW

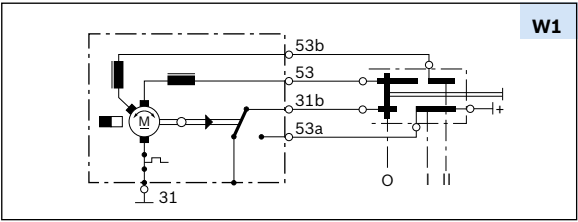
Voltage	Part number	P <sub>n</sub> (Nominal power)	I <sub>n</sub> (Nominal current)	n <sub>n</sub> (Nominal speed)	M <sub>n</sub> (Nominal torque)	M <sub>a</sub> (Stall torque)	Gear ratio	Direction of rotation	Signal	Side*	Dimensional drawing (D)	Wiring diagram (W)	Drive end (S)	Connector (C)	Performance curve (P)
24 V	0 986 337 451	W	A	rpm	Nm	Nm			Hall	L	D1	W1	S1	C1	P1
		19.3 ; 33.5	3.5 ; 6	23 ; 40	8	120 ; 80	96:2	CCW	No						

\*Gear housing left: L, gear housing right: R

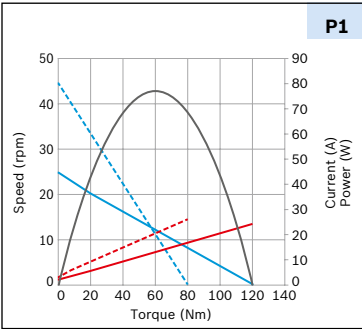


# EDP

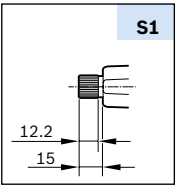
## Wiring diagram (W)



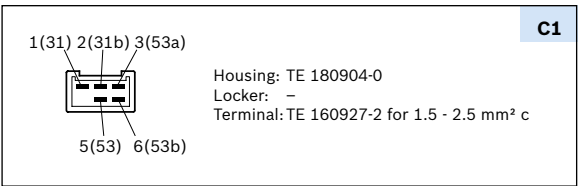
## Performance curve (P)



## Drive end (S)



## Mating connector (C)



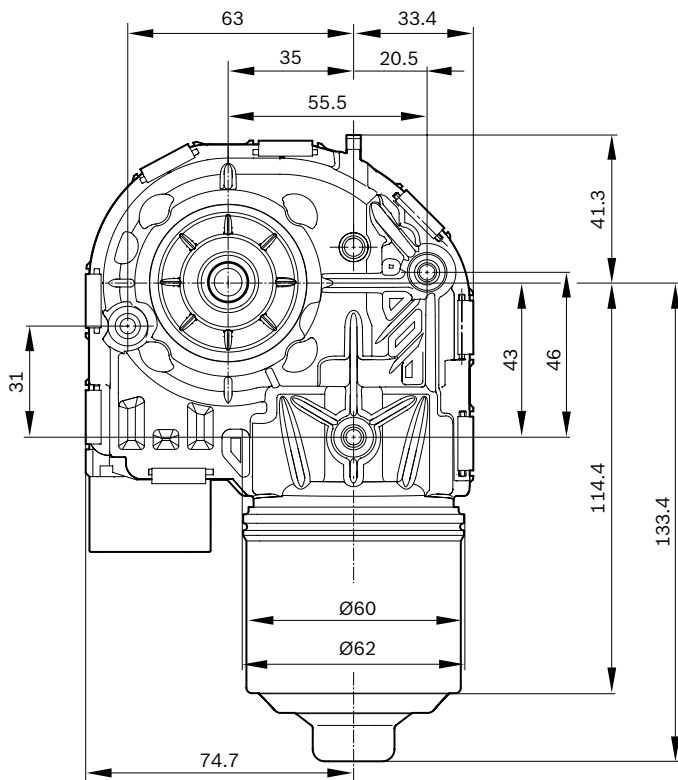
**WDD**



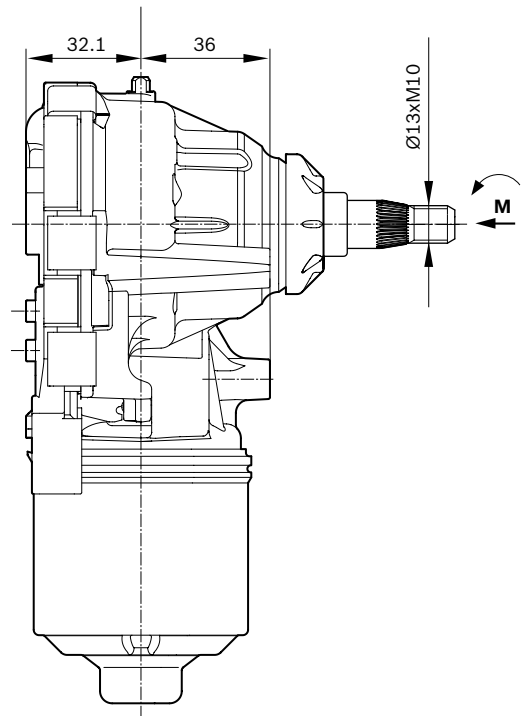
**Family features:**

- ▶ Motor with integrated electronics
- ▶ Degree of protection: IP 6K7
- ▶ Operating mode: S1
- ▶ Direction of rotation: CCW/CW
- ▶ LIN Communication

Voltage	Part number	P <sub>n</sub> (Nominal power) W	I <sub>n</sub> (Nominal current) A	n <sub>n</sub> (Nominal speed) rpm	M <sub>n</sub> (Nominal torque) Nm	M <sub>a</sub> (Stall torque) Nm	Gear ratio	Signal	Dimensional drawing (D)	Wiring diagram (W)	Drive end (S)	Connector (C)	Performance curve (P)
<b>12 V</b>	0 390 248 015	30	4.5	50	5.7	38	76:1	Yes	D1	W1	S1	C1	P1
	0 390 248 016	30	4.5	50	5.7	38	76:1	Yes	D1	W1	S2	C1	P1

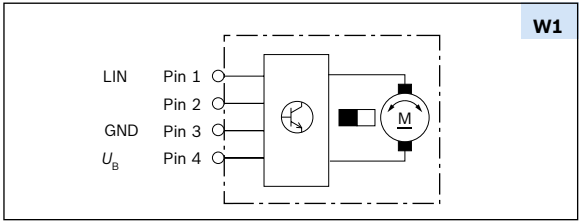


**D1**

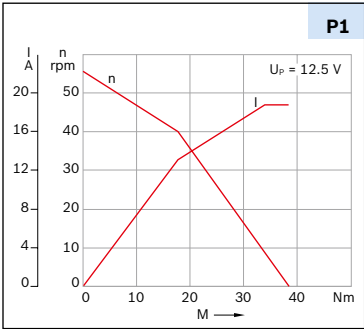


# WDD

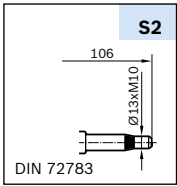
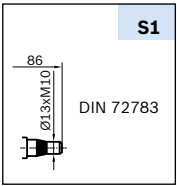
## Wiring diagram (W)



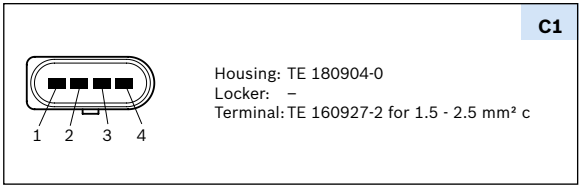
## Performance curve (P)



## Drive end (S)



## Mating connector (C)



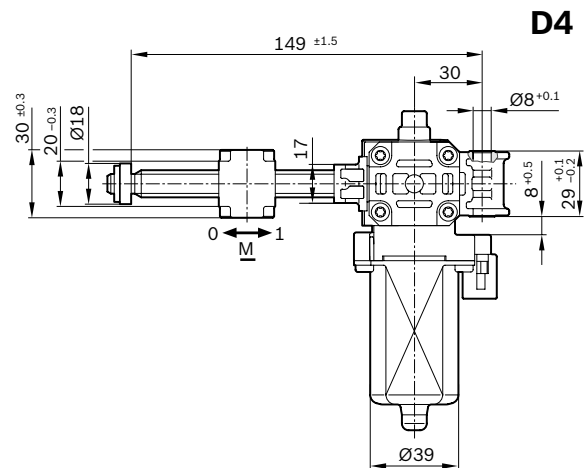
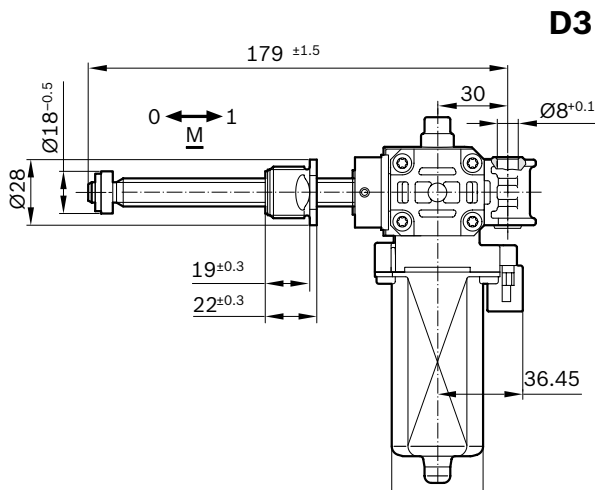
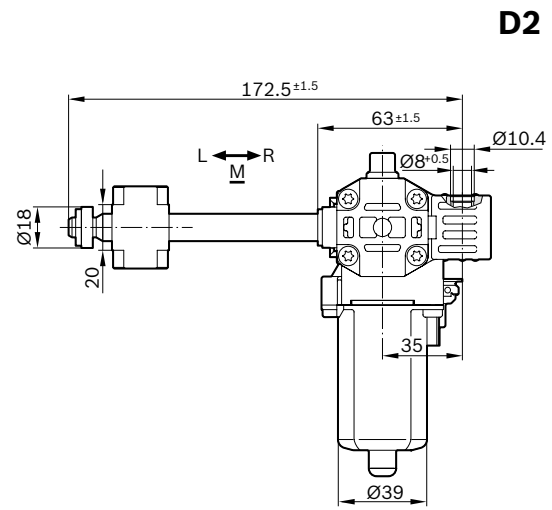
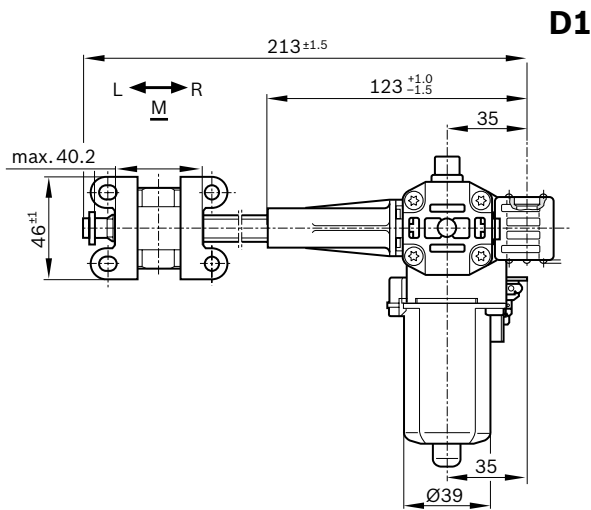
# AHC-RS



## Family features:

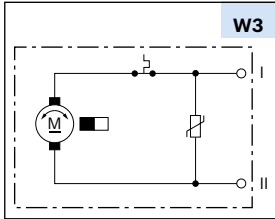
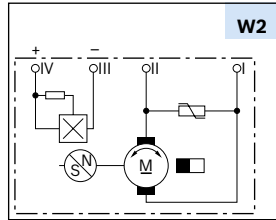
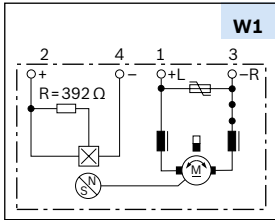
- ▶ Hall Sensor available
- ▶ Degree of protection: IP 50
- ▶ Operation mode: S2 - S3
- ▶ Linear movement

Voltage	Part number	I <sub>n</sub> (Nominal current)	F <sub>n</sub> (Nominal force)	F <sub>max</sub> Maximum force	Adjustment speed	Stroke	Signal	Dimensional drawing (D)	Wiring diagram (W)	Connector (C)	Performance curve (P)
12 V	0 390 203 229	9	0.5	3	13	81.6	Yes	D3	W1	C3	P3
	0 390 201 927	3	0.5	3.4	5.2	58.5	Yes	D1	W2	C1	P1
	0 390 201 941	3.9	0.5	4.5	7.2	75	No	D2	W3	C2	P2
	0 390 201 989	6	0.5	4.25	7	58.5	Yes	D4	W1	C3	P4

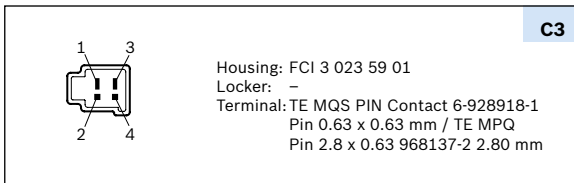


# AHC-RS

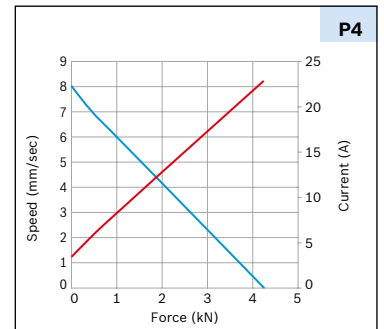
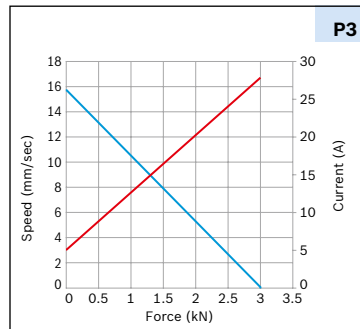
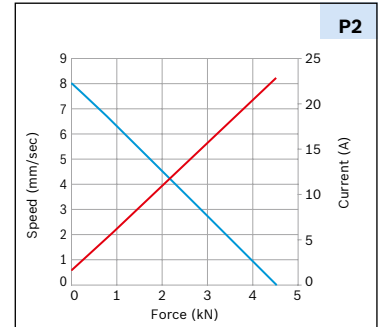
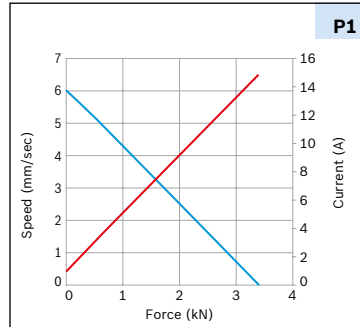
## Wiring diagram (W)



## Mating connector (C)



## Performance curve (P)



# AHC-RS2

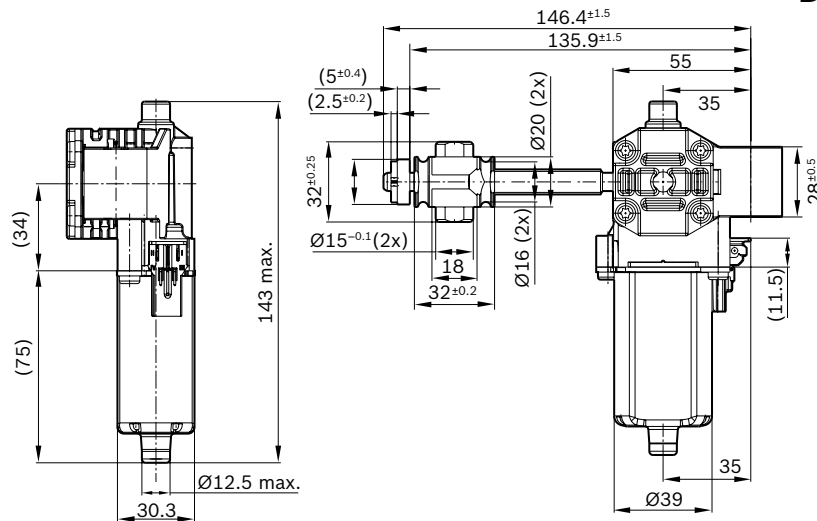


## Family features:

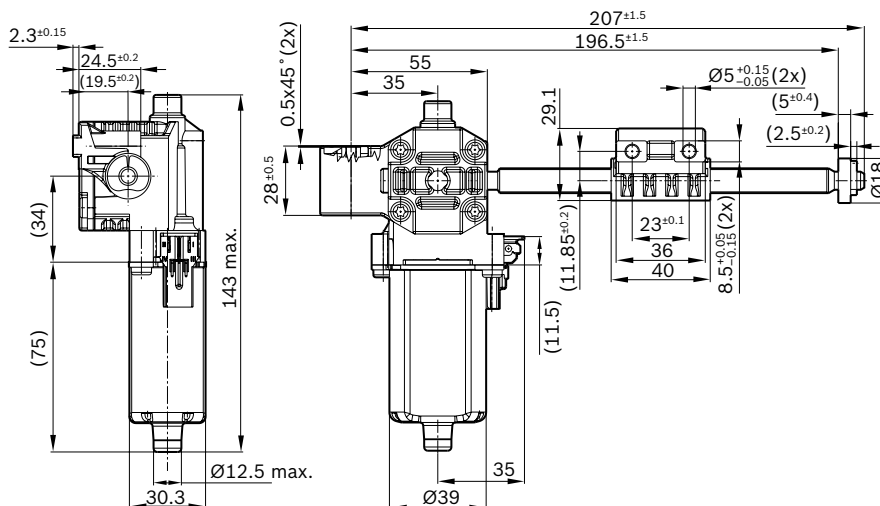
- ▶ Hall Sensor available
- ▶ Degree of protection: IP 50
- ▶ Operation mode: S2 - S3
- ▶ Linear movement

Voltage	Part number	In (Nominal current)	F <sub>n</sub> (Nominal force)	F <sub>max</sub> Maximum force	Adjustment speed	Stroke	Signal	Dimensional drawing (D)	Wiring diagram (W)	Connector (C)	Performance curve (P)
		A	kN	kN	mm/s	mm	Hall				
12 V	0 390 203 693	10	0.4	1.95	15	48.9	Yes	D1	W1	C1	P1
	0 390 203 694	8	0.4	2.07	13	101.5	Yes	D2	W1	C1	P2

**D1**



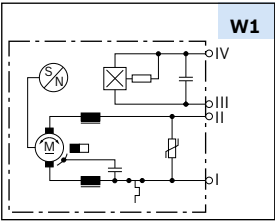
**D2**



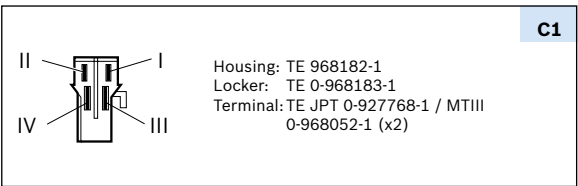


# AHC-RS2

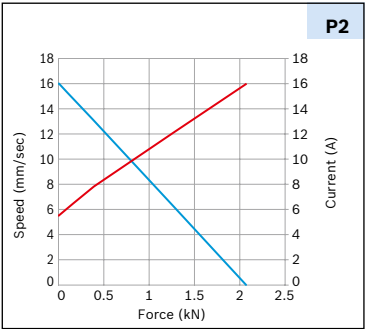
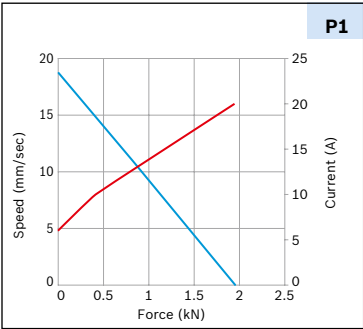
## Wiring diagram (W)



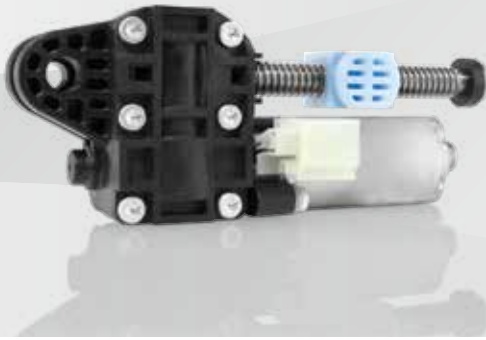
## Mating connector (C)



## Performance curve (P)



# AHC-D



## Family features:

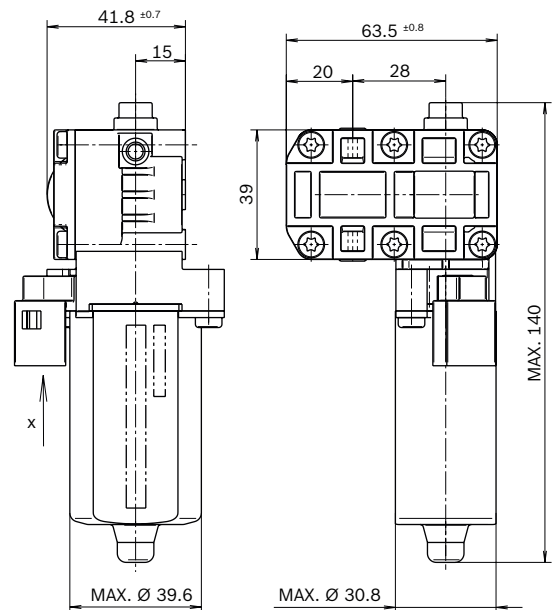
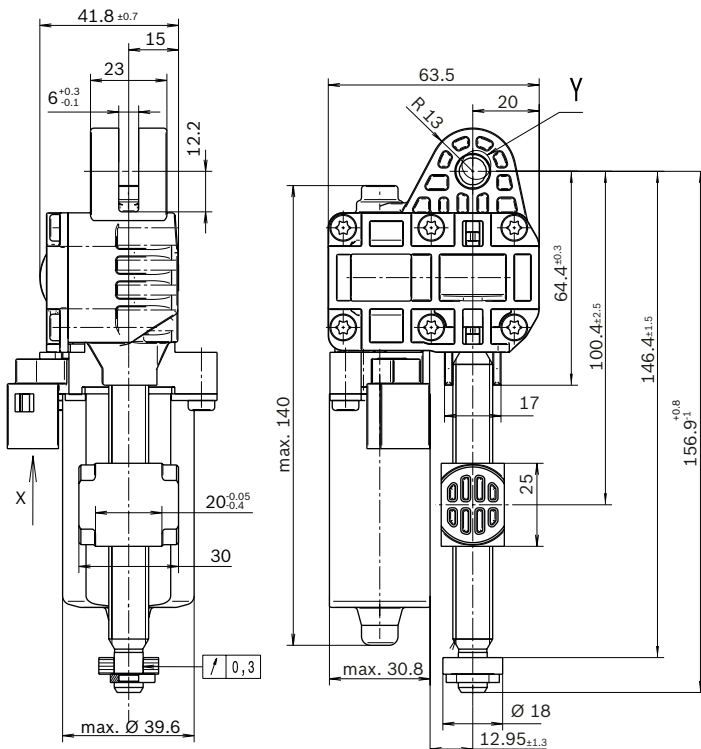
- ▶ Hall Sensor available
- ▶ Degree of protection: IP 50
- ▶ Operation mode: S2 - S3
- ▶ Linear movement

Voltage	Part number	Pn (Nominal power)	In (Nominal current)	nn (Nominal speed)	Mn (Nominal torque)	Gear ratio	Signal	Direction of rotation	Dimensional drawing (D)	Wiring diagram (W)	Connector (C)	Performance curve (P)
		W	A	rpm	Nm		Hall	mm				
12 V	0 390 203 428	7.6	4.5	145	0.5	18:1	Yes	CW/CCW	D2	W1	C1	P2

Voltage	Part number	In (Nominal current)	Fn (Nominal force)	Fmax Maximum force	Adjustment speed	Stroke	Signal	Dimensional drawing (D)	Wiring diagram (W)	Connector (C)	Performance curve (P)
		A	kN	kN	mm/s	mm	Hall				
12 V	0 390 203 399	3.3	0.5	2	9	82.0	Yes	D1	W1	C1	P1

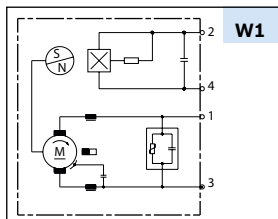
**D1**

**D2**

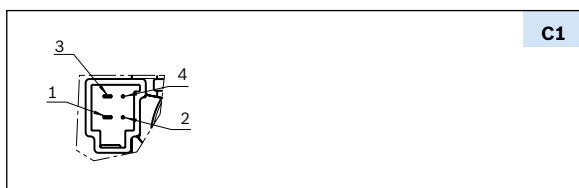


# AHC-D

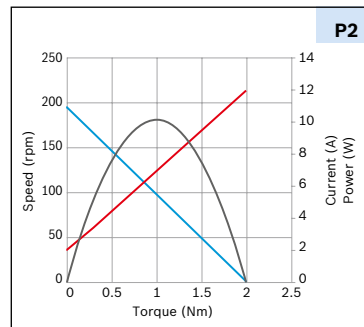
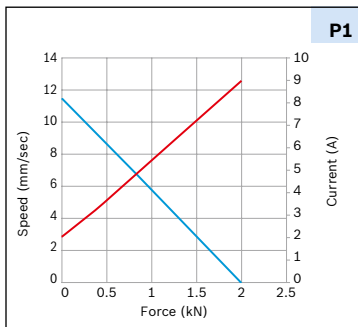
## Wiring diagram (W)



## Mating connector (C)



## Performance curve (P)





## D.C. motors without transmission



The Bosch D.C. motors without transmission referred to here are permanent-magnet D.C. motors developed for use in motor vehicles. They excel on account of an excellent power/weight ratio, and a broad working range in different requirements and installation situations.

Bosch electric motors without transmission are typically used in motor vehicles as a motor for heater or air-conditioning devices or for power-seat adjustment. The installation position can vary arbitrarily from horizontal to vertical. Bosch electric motors without transmission, are also the suitable solution for many applications outside the automobile.

### Application examples

#### Automotive technology:

Heater and air-conditioning blowers, engine cooling, power-seat adjustment

#### Industrial applications:

Electric mopeds, house ventilation, household appliances, sweeping machines and lots more

### Product features

- ▶ Wide range of permanent-magnet D.C. motor products
- ▶ D.C. voltage range from 12 to 24 Volt

### Advantages for your application

- ▶ Robust and reliable quality
- ▶ High reliability and service life
- ▶ A multitude of different sizes and designs for greater flexibility
- ▶ Favorable price/performance ratio

APM

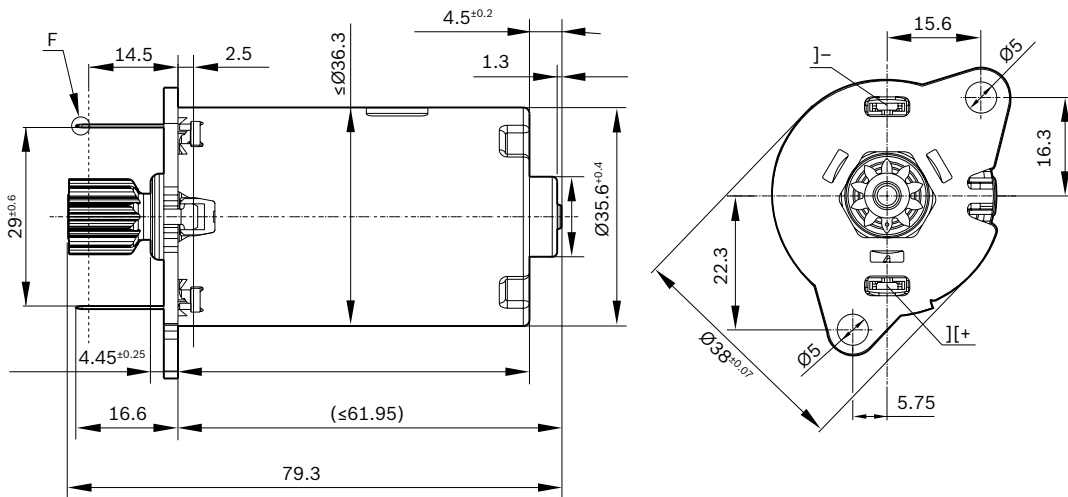


**Family features:**

- ▶ Extended temperature range
- ▶ Operation mode: S1/S2
- ▶ Direction of rotation: CCW/CW
- ▶ Degree of protection: IP 40

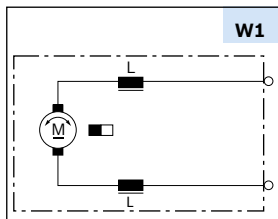
Voltage	Part number	P <sub>n</sub> (Nominal power)	I <sub>n</sub> (Nominal current)	n <sub>n</sub> (Nominal speed)	M <sub>n</sub> (Nominal torque)	M <sub>a</sub> (Stall torque)	Signal	Dimensional drawing (D)	Wiring diagram (W)	Drive end (S)	Connector (C)	Performance curve (P)
<b>12 V</b>	0 130 001 001	W	A	rpm	Ncm	Ncm	Hall	D1	W1	S1	C1	P1

**D1**

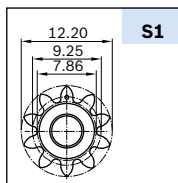


# APM

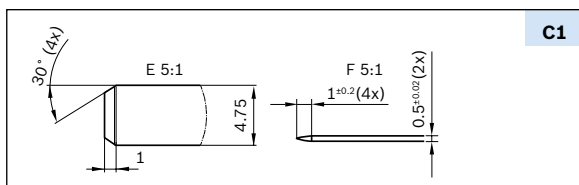
## Wiring diagram (W)



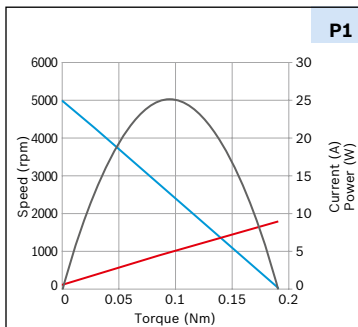
## Drive end (S)



## Mating connector (C)



## Performance curve (P)



# NSA-I

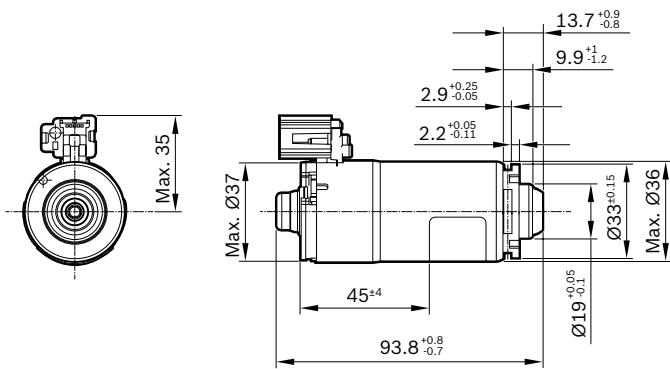


## Family features:

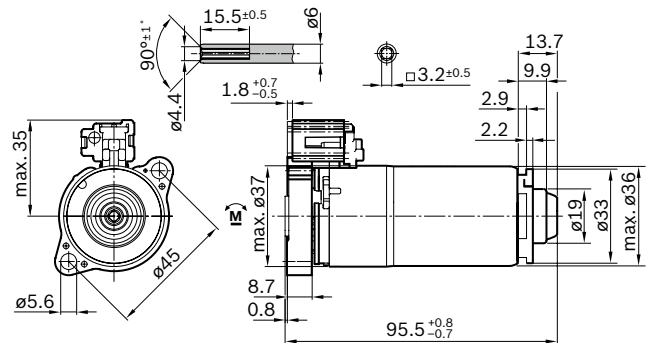
- ▶ Hall Sensor
- ▶ Degree of protection: IP 50
- ▶ Operation mode: S3
- ▶ Direction of rotation: CCW/CW
- ▶ Fit for flexi-shaft
- ▶ 2-end output

Voltage	Part number	P <sub>n</sub> (Nominal power) W	I <sub>n</sub> (Nominal current) A	n <sub>n</sub> (Nominal speed) rpm	M <sub>n</sub> (Nominal torque) Ncm	M <sub>a</sub> (Stall torque) Ncm	Signal	Dimensional drawing (D)	Wiring diagram (W)	Drive end (S)	Connector (C)	Performance curve (P)
12 V	0 390 204 092	12.6	2.5	2400	5	43	Yes	D2	W3	S1	C1	P1
	0 390 204 118	37.7	9	7200	5	48	Yes	D3	W2	S1	C1	P3
	0 390 204 166	10.4	3	3550	2.8	69	Yes	D1	W1	S1	C1	P2

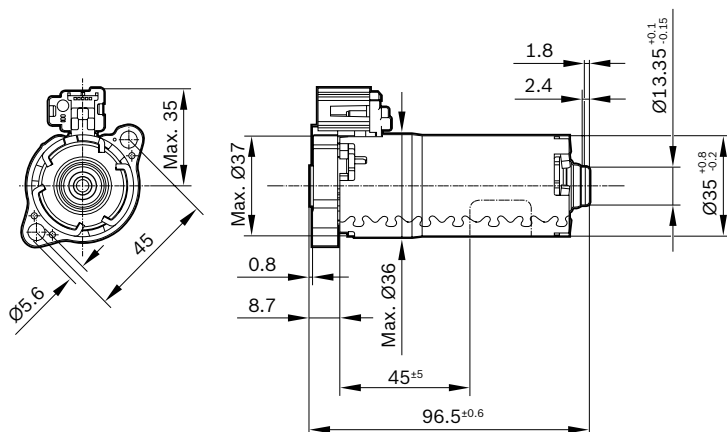
**D1**



**D2**



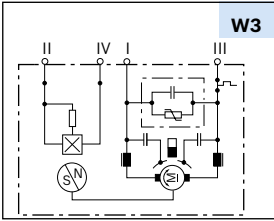
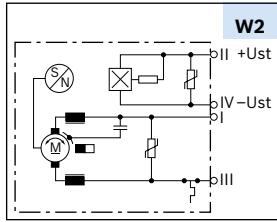
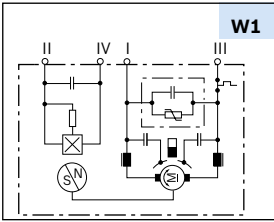
**D3**



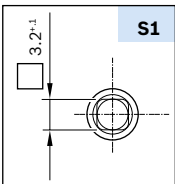


# NSA-I

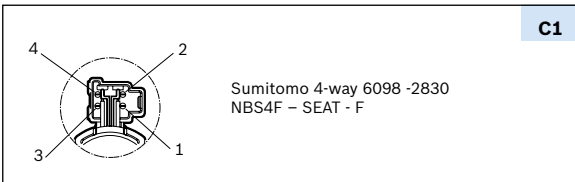
## Wiring diagram (W)



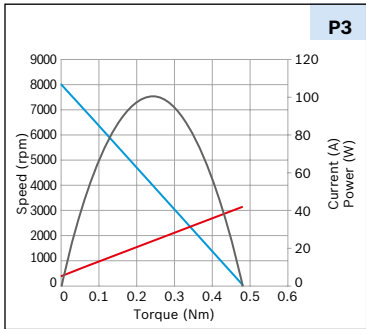
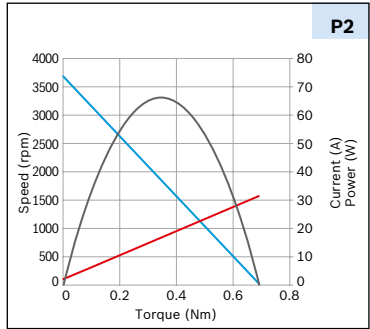
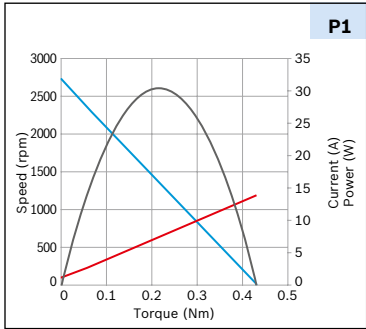
## Drive end (S)



## Mating connector (C)



## Performance curve (P)



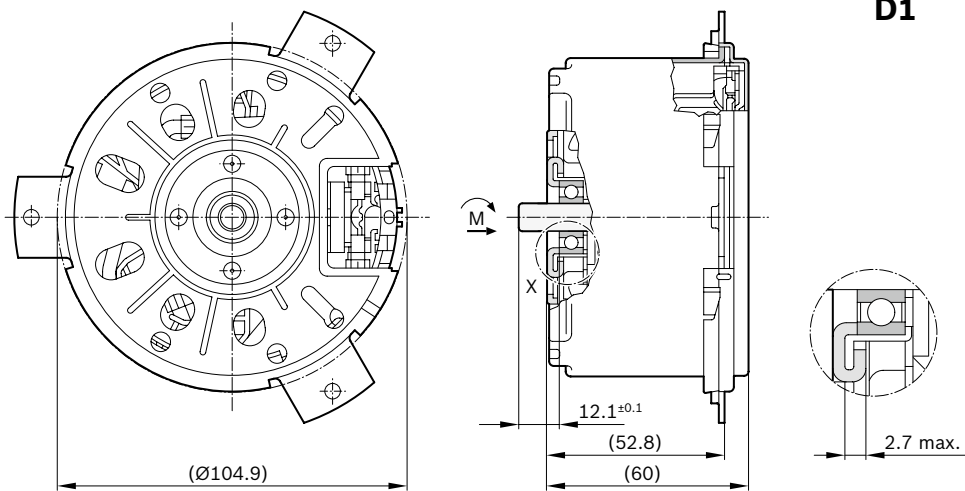
## GPG-M



### Family features:

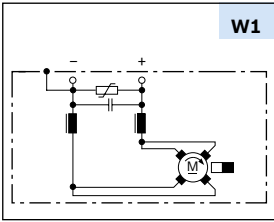
- ▶ High durability and efficiency
- ▶ Degree of protection: IP 10
- ▶ Operation mode: S1
- ▶ Direction of rotation: CW

Voltage	Part number	P <sub>n</sub> (Nominal power)	I <sub>n</sub> (Nominal current)	n <sub>n</sub> (Nominal speed)	M <sub>n</sub> (Nominal torque)	M <sub>a</sub> (Stall torque)	Signal	Dimensional drawing (D)	Wiring diagram (W)	Drive end (S)	Performance curve (P)
		W	A	rpm	Nm	Nm	Hall				
<b>12 V</b>	3 137 230 005	113	13	2700	0.40	3.30	No	D1	W1	S1	P1
	3 137 230 006	134	15	3200	0.40	3.50	No	D1	W1	S1	P2

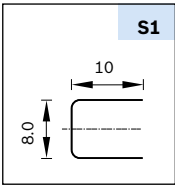


# GPG-M

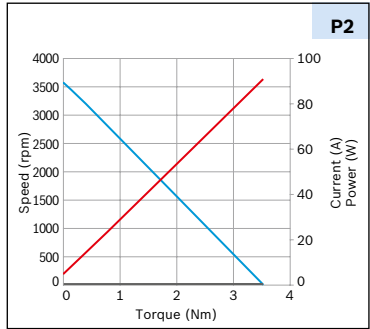
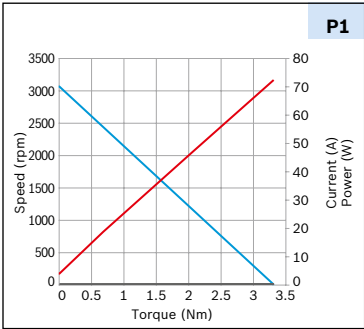
## Wiring diagram (W)



## Drive end (S)



## Performance curve (P)



**GBM**

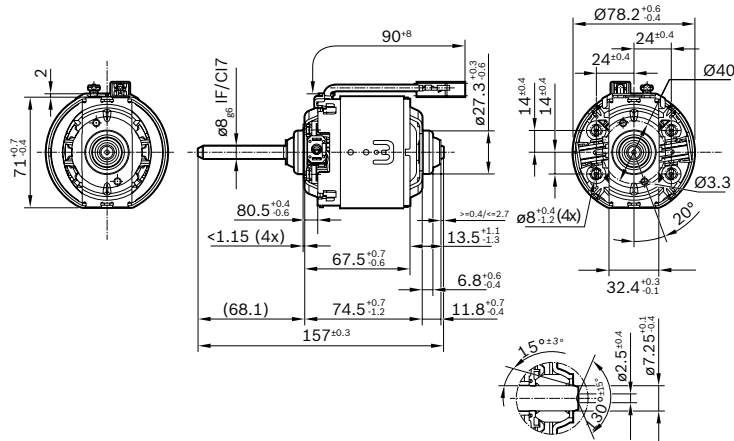


**Family features:**

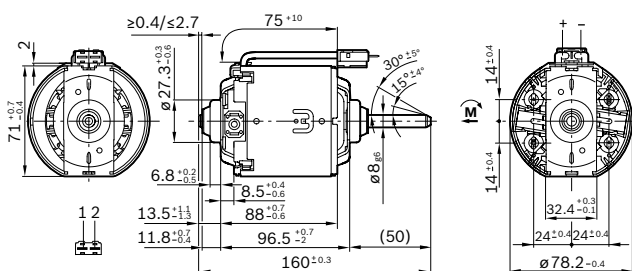
- ▶ Small, medium and large sizes
- ▶ Degree of protection: IP 10
- ▶ Operation mode: S1

Voltage	Part number	Pn (Nominal power)	In (Nominal current)	nn (Nominal speed)	Mn (Nominal torque)	Ma (Stall torque)	Direction of rotation	Signal	Dimensional drawing (D)	Wiring diagram (W)	Drive end (S)	Connector (C)	Performance curve (P)
		W	A	rpm	Nm	Nm		Hall					
<b>12 V</b>	0 130 115 352	247.5	26	4300	0.55	3.00	CW	No	D2	W1	S2	C1	P2
	0 130 115 017	122.5	15	3900	0.30	1.80	CCW	No	D3	W1	S1	C1	P1
	0 130 115 008	79.5	11	3800	0.20	1.05	CCW	No	D1	W1	S3	C2	P3

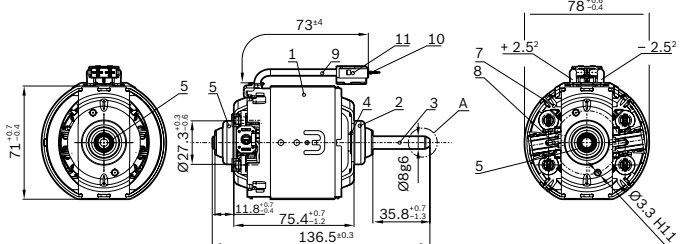
**D1**



**D2**

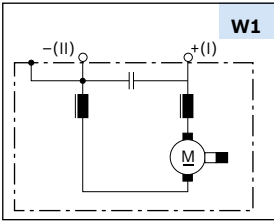


**D3**

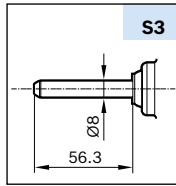
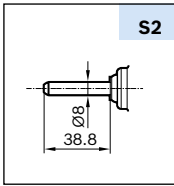
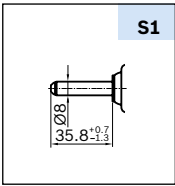


# GBM

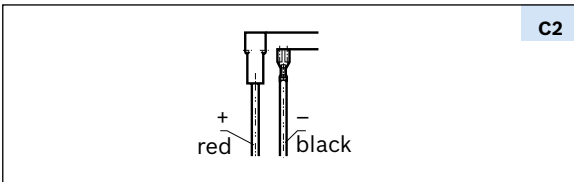
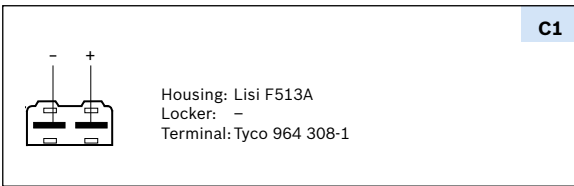
## Wiring diagram (W)



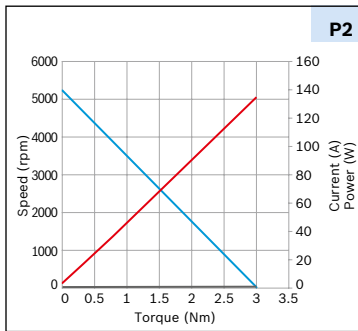
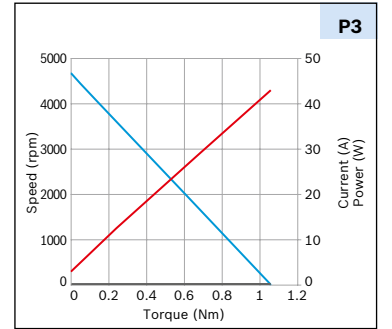
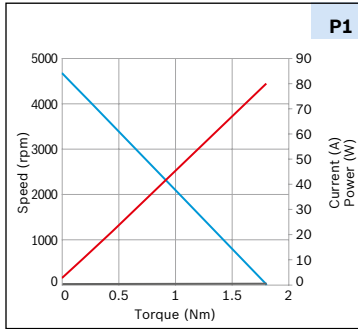
## Drive end (S)



## Mating connector (C)



## Performance curve (P)

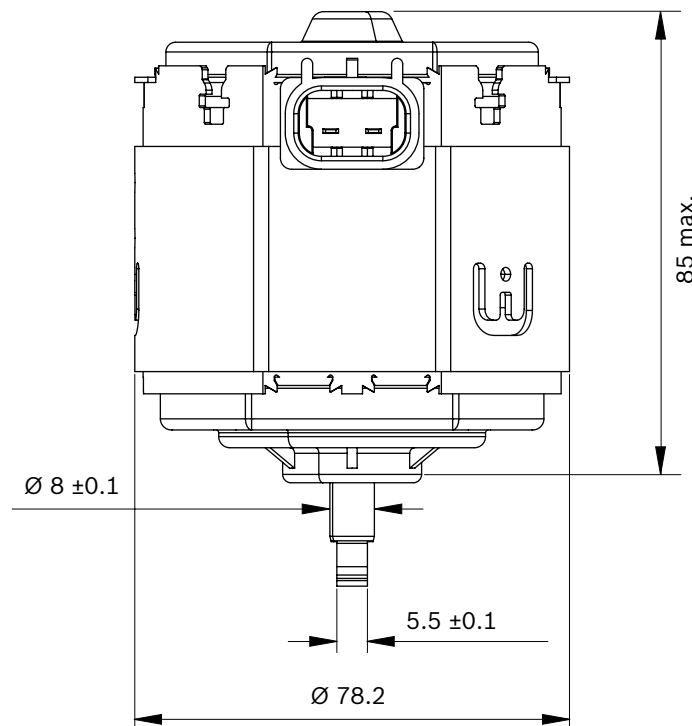


GBX

**Family features:**

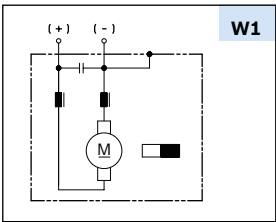
- ▶ Small, medium and large sizes
- ▶ Degree of protection: IP 10
- ▶ Operation mode: S1

Voltage	Part number	P <sub>n</sub> (Nominal power)	I <sub>n</sub> (Nominal current)	n <sub>n</sub> (Nominal speed)	M <sub>n</sub> (Nominal torque)	M <sub>a</sub> (Stall torque)	Direction of rotation	Signal	Dimensional drawing (D)	Wiring diagram (W)	Drive end (S)	Connector (C)	Performance curve (P)
		W	A	rpm	Nm	Nm		Hall					
<b>12 V</b>	F 006 B10 440	41.8	6	1815	0.22	0.84	CW	No	D1	W1	S1	C1	P1

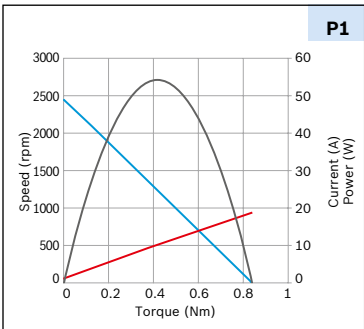
**D1**

# GBX

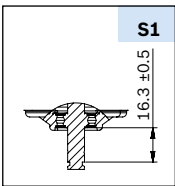
## Wiring diagram (W)



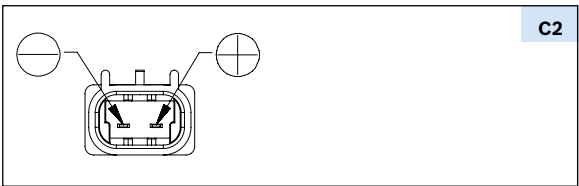
## Performance curve (P)



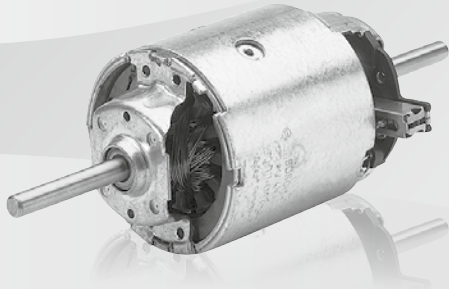
## Drive end (S)



## Mating connector (C)



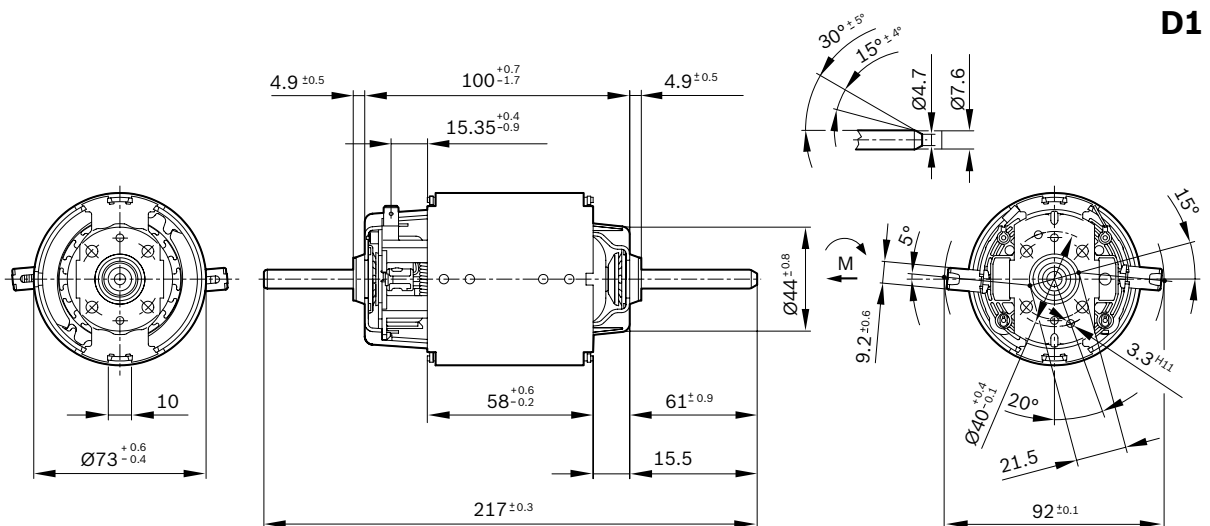
## DPO-K



### Family features:

- ▶ Long life brushes
- ▶ Fast and powerful 24 V motor
- ▶ Degree of protection: IP 10
- ▶ Operation mode: S1
- ▶ Direction of rotation: CW

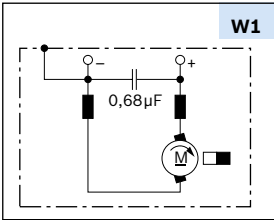
Voltage	Part number	P <sub>n</sub> (Nominal power)	I <sub>n</sub> (Nominal current)	n <sub>n</sub> (Nominal speed)	M <sub>n</sub> (Nominal torque)	M <sub>a</sub> (Stall torque)	Signal	Dimensional drawing (D)	Wiring diagram (W)	Drive end (S)	Performance curve (P)
24 V	0 130 101 616	W	A	rpm	Nm	Nm	Hall	D1	W1	S1	P1



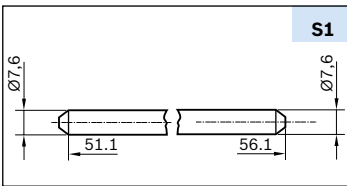


# DPO-K

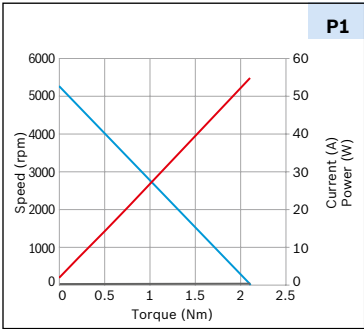
## Wiring diagram (W)



## Drive end (S)



## Performance curve (P)





## Blowers and Fans with D.C. motors



As one of the largest manufacturer of electric motors in Europe, Bosch provides a comprehensive range of blower and engine-cooling products for every output range. Our blower range consists of single or multiple-stage suction or pressure blowers. The delivery range encompasses radial and axial-type blowers for 12 V and 24 V. The blowers are designed for operating mode S1 (continuous operation).

The modules are available with brush-type motors or as brushless drives. The compact design of the modules means that they can be easily installed in areas where space is at a premium.

### Automotive applications

Heating, ventilation, air-conditioning and engine cooling, cooler blowers in general

### Industrial applications

Ventilation, off-highway, smart home

### Product features

- ▶ Wide range of blowers and fans
- ▶ D.C. voltage range 12 V / 24 V
- ▶ Axial and radial-type blowers available
- ▶ RPM control

### Advantages for your application

- ▶ Low noise development
- ▶ High efficiency
- ▶ Low weight
- ▶ Favorable price/performance ratio

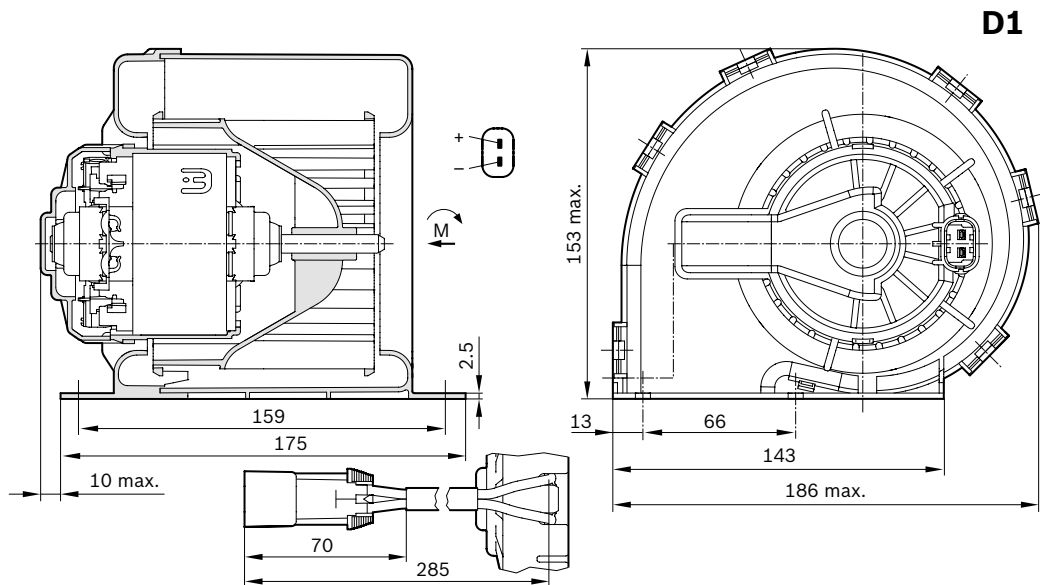
## GBM-S



### Family features:

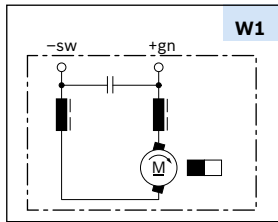
- ▶ 12 V ventilation module
- ▶ Optimized noise performance
- ▶ High power density
- ▶ Operation mode: S1
- ▶ Degree of protection: IP 13

Voltage	Part number	Flow rate	Pressure difference	I <sub>n</sub> (Nominal current)	n <sub>n</sub> (Nominal speed)	Direction of rotation	Signal	Dimensional drawing (D)	Wiring diagram (W)	Connector (C)	Performance curve (P)
<b>12 V</b>	0 130 115 604	m3/h 400	Pa 470	A 14	rpm 4468	CW	Hall No	D1	W1	C1	P1

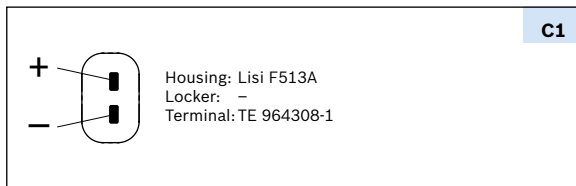


# GBM-S

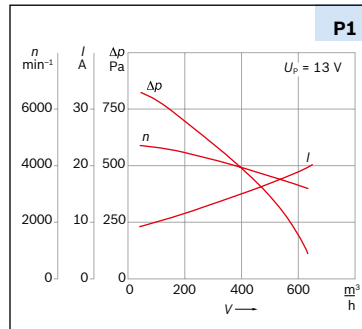
## Wiring diagram (W)



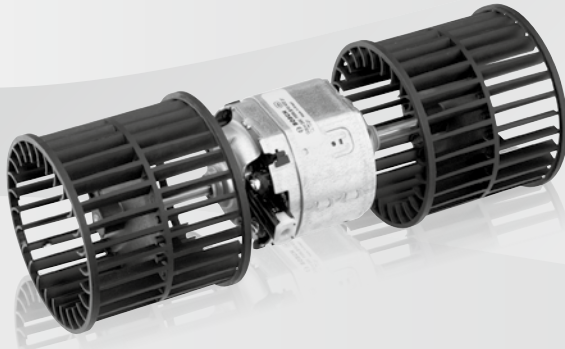
## Mating connector (C)



## Performance curve (P)



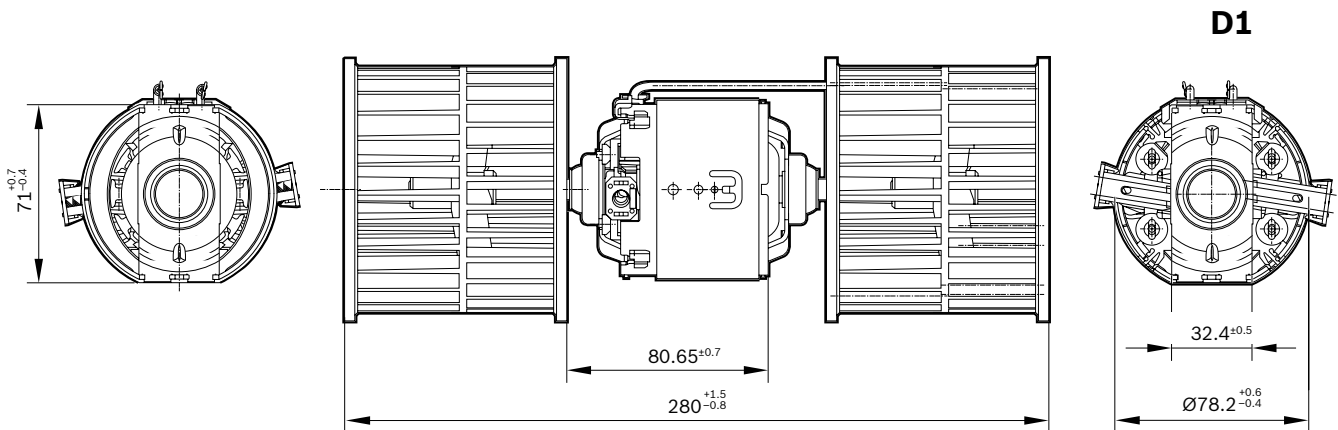
## GBM-M



### Family features:

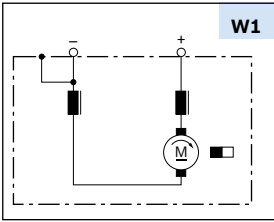
- ▶ 24 V double-radial blower
- ▶ Degree of protection: IP 10
- ▶ Operation mode: S1

Voltage	Part number	Power	In Nominal current	nn (Nominal speed)	Direction of rotation	Signal	Dimensional drawing (D)	Wiring diagram (W)	Performance curve (P)
<b>24 V</b>	F 006 B10 422	128.7	8	4100	CW	Hall No	D1	W1	P1

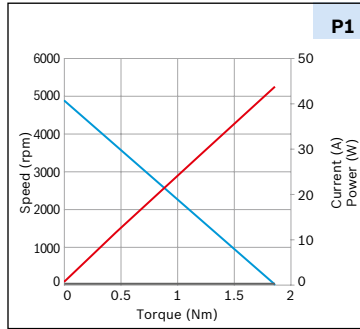


# GBM-M

## Wiring diagram (W)



## Performance curve (P)



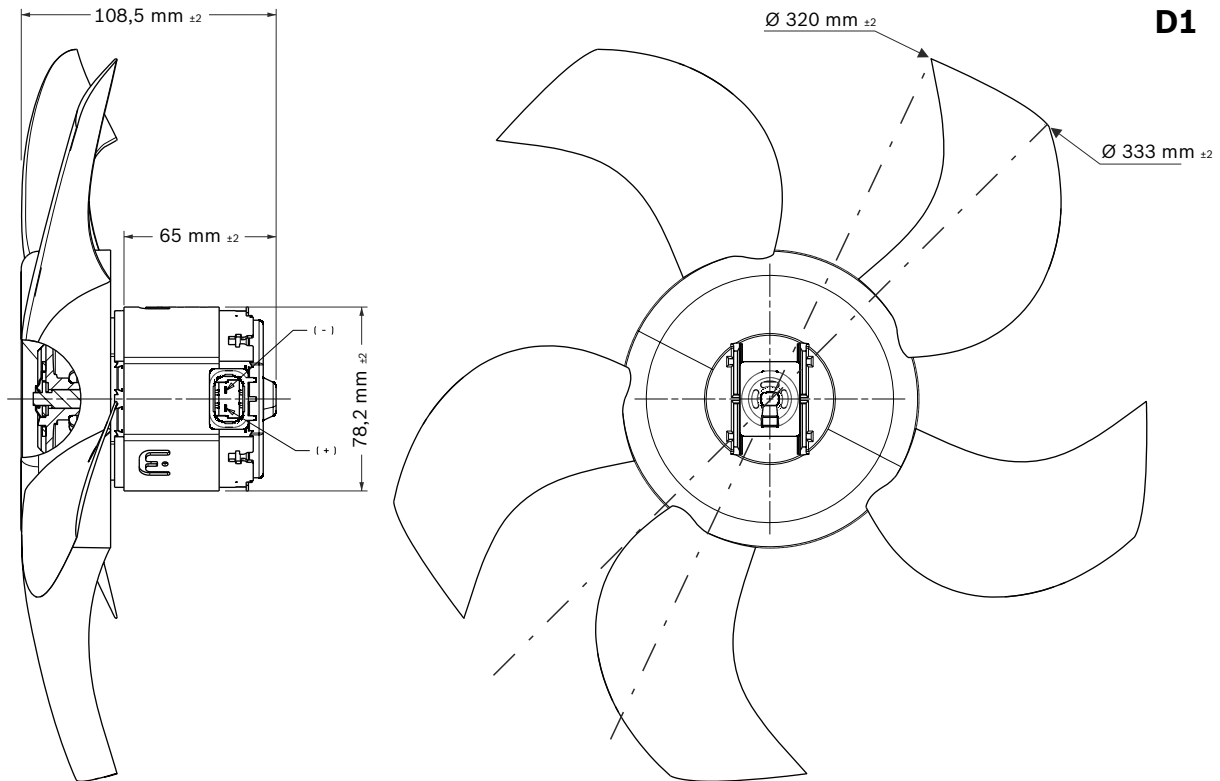
**GBX**



**Family features:**

- ▶ 12 V ventilation module
- ▶ Optimized noise performance
- ▶ High power density
- ▶ Operation mode: S1

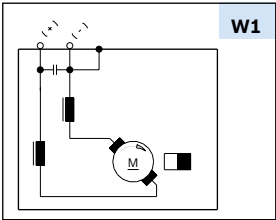
Voltage	Part number	Power	I <sub>n</sub> Nominal current	n <sub>n</sub> (Nominal speed)	Direction of rotation	Signal	Dimensional drawing (D)	Wiring diagram (W)	Performance curve (P)
12 V	F 006 B10 441	W	A	rpm	CW	Hall	D1	W1	P1
12 V	F 006 B10 441	41.8	6	1815	CW	No	D1	W1	P1



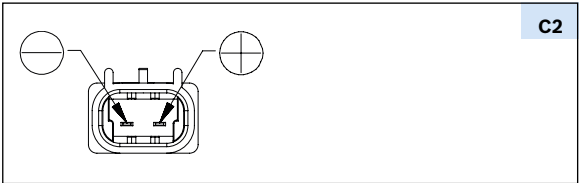


# GBX

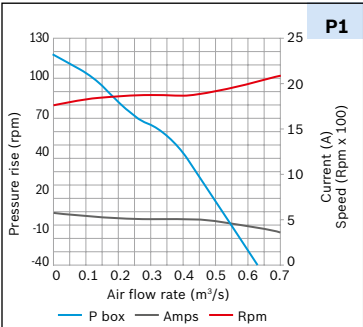
## Wiring diagram (W)



## Mating connector (C)



## Performance curve (P)





## Brushless pumps



The stator and electronics are mechanically fully-separated from the rotor in the dry motor housing. The electronics and the stator winding generate an alternating electrical magnetic field, which in turn drives the rotor. The rotor, as part of the pump wheel, is located in the separate pump housing, therefore the coolant cannot come into contact with the electronics.

### Application examples

For versatile applications Bosch offers auxiliary water pumps with electronically commutated drive motors:

- ▶ Heater circuit
- ▶ Auxiliary heater
- ▶ Charge-air cooling
- ▶ Generator cooling
- ▶ Turbocharger cooling
- ▶ Fuel cooling
- ▶ After-run cooling of combustion engines
- ▶ Thermal management of electric vehicles
- ▶ Battery and electronic cooling

### Advantages for your application

- ▶ Compact design
- ▶ High delivery rate
- ▶ Long service life
- ▶ High efficiency
- ▶ Silent operation

# PAD



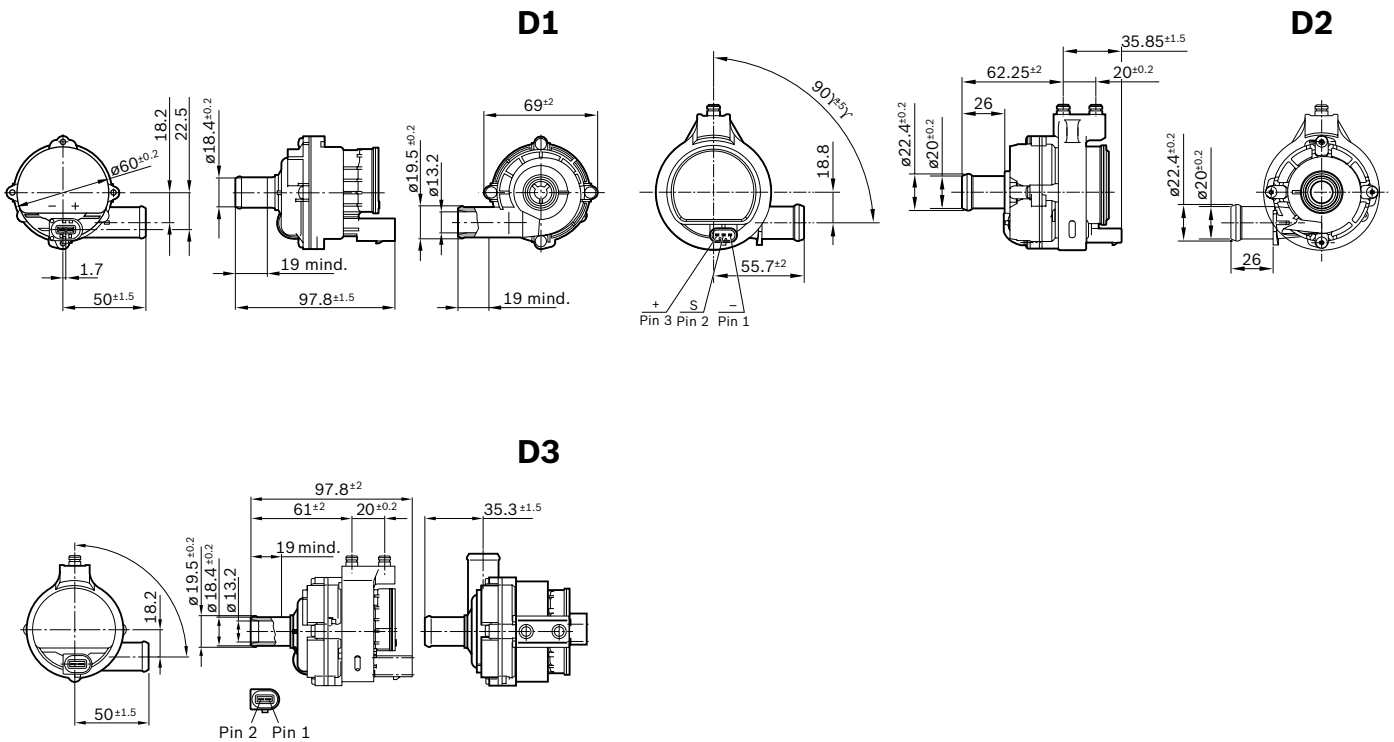
## Family features:

- ▶ Silent operation
- ▶ PWM control available
- ▶ Extended temperature range available
- ▶ Extended power range available
- ▶ Degree of protection: IPX7

Voltage	Part number	Nominal pump pressure	Flow rate	Direction of rotation	Control	Dimensional drawing (D)	Connector (C)	Performance curve (P)
		bar	L/hr	CW or CCW				
<b>12 V</b>	0 392 023 232*	0.2	500	CW	PWM	D2	C2	P1
	0 392 023 004	0.1	900	CW	On / off	D1	C1	P2
	0 392 023 117**	0.1	900	CW	On / off	D3	C1	P3

\* Extended power range

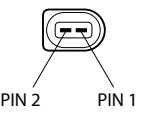
\*\* Extended temperature range



# PAD

## Mating connector (C)

**C1**



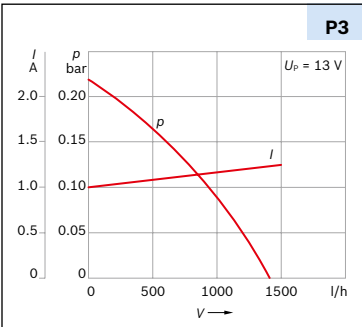
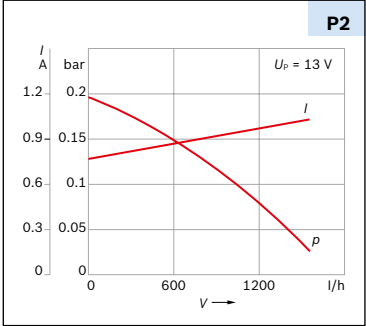
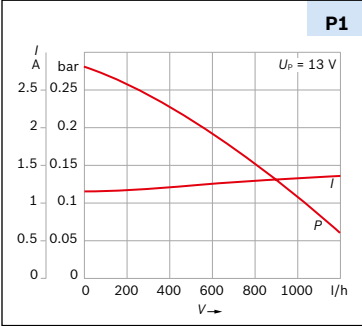
Housing: AMP 1-967412-2

**C2**



Housing: HIRSCHMAN 805-121-...00

## Performance curve (P)



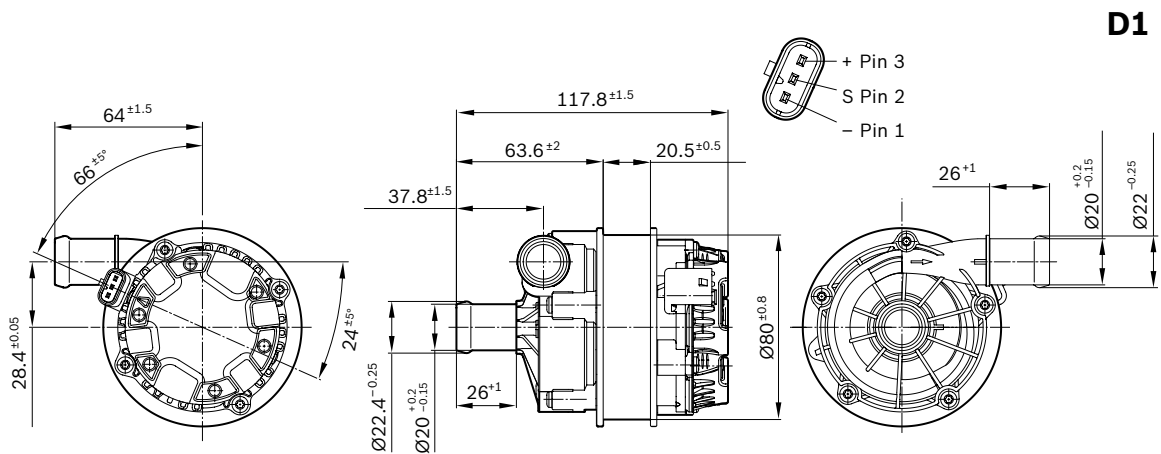
**PCE**



**Family features:**

- ▶ Silent operation
- ▶ PWM control available
- ▶ Extended temperature range available
- ▶ Extended power range available
- ▶ Degree of protection: IPX7

Voltage	Part number	Nominal pump pressure	Flow rate	Direction of rotation	Control	Dimensional drawing (D)	Connector (C)	Performance curve (P)
		bar	L/h	CW or CCW				
<b>12 V</b>	0 392 024 058	0.6	1200	CW	PWM	D1	C1	P1
	0 392 024 078	0.85	2400	CW	PWM	D1	C1	P2
<b>24 V</b>	0 392 024 041	0.6	1200	CW	PWM	D1	C1	P3

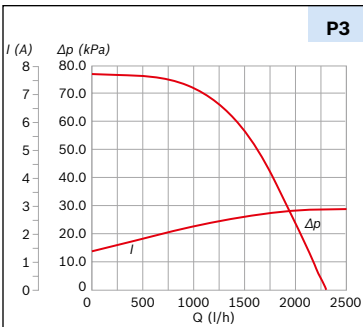
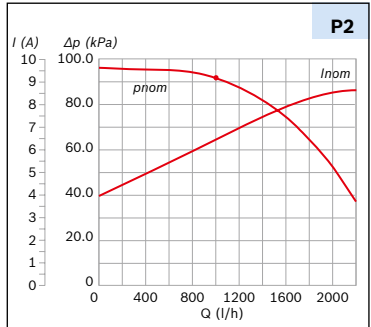
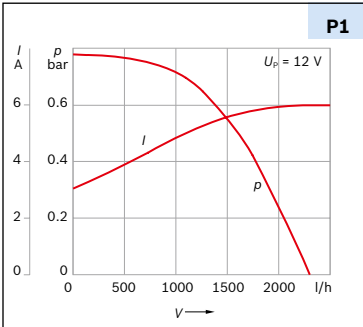


# PCE

## Mating connector (C)



## Performance curve (P)



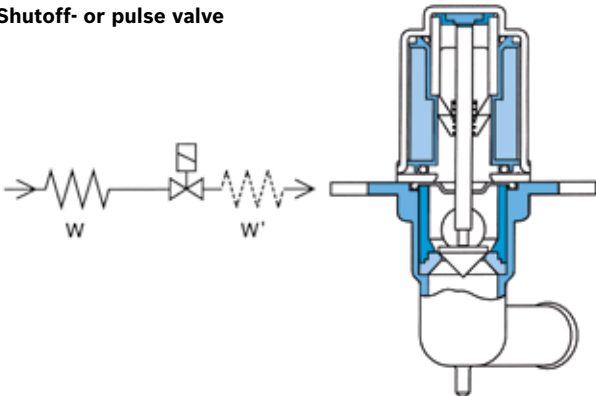




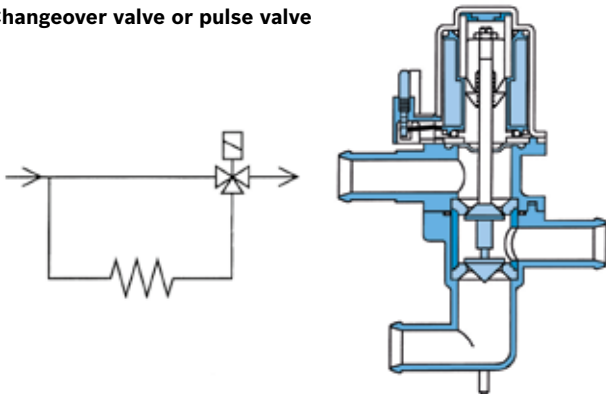
## Solenoid valves



### Shutoff- or pulse valve



### Changeover valve or pulse valve



### Valves for coolant fluids

#### Application

Heater control for passenger cars and commercial vehicles.

#### Valve models

The valves are open when de-energized.

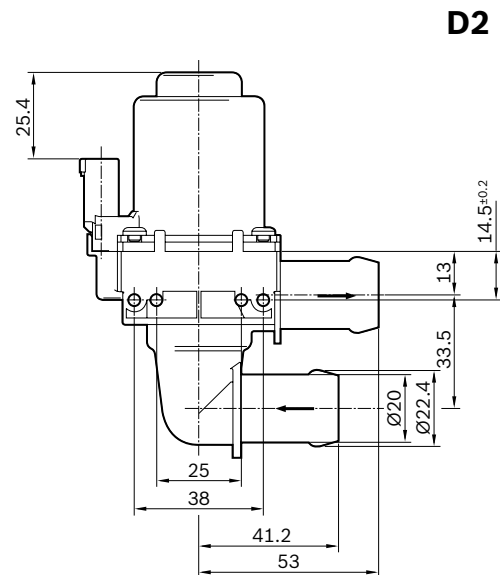
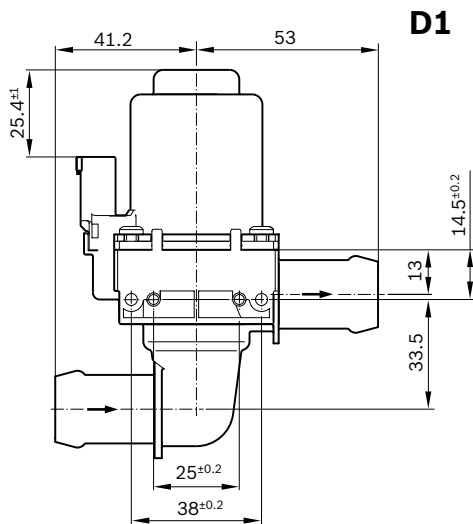
## Switch-off valves



### Family features:

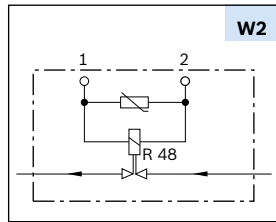
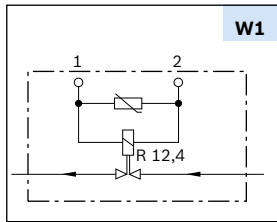
- ▶ Proportional valve function possible
- ▶ Degree of protection: IP5K4
- ▶ Open when de-energized

Voltage	Part number	Pressure drop	Flow rate	Switchable pressure difference	Resistance	Dimensional drawing (D)	Wiring diagram (W)	Connector (C)	Performance curve (P)
		kPa	L/hr	kPa	Ω				
12 V	1 147 412 208	35	1500	150	12.4	D1	W1	C1	P1
24 V	1 147 412 205	35	1500	150	48	D1	W2	C1	P1
	1 147 412 218	35	2000	160	48	D2	W2	C1	P1

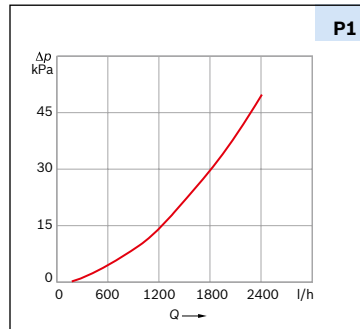


## Switch-off valves

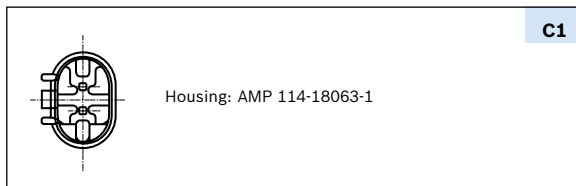
### Wiring diagram (W)



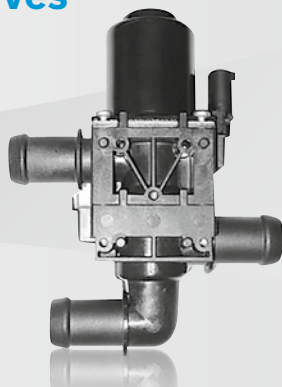
### Performance curve (P)



### Mating connector (C)



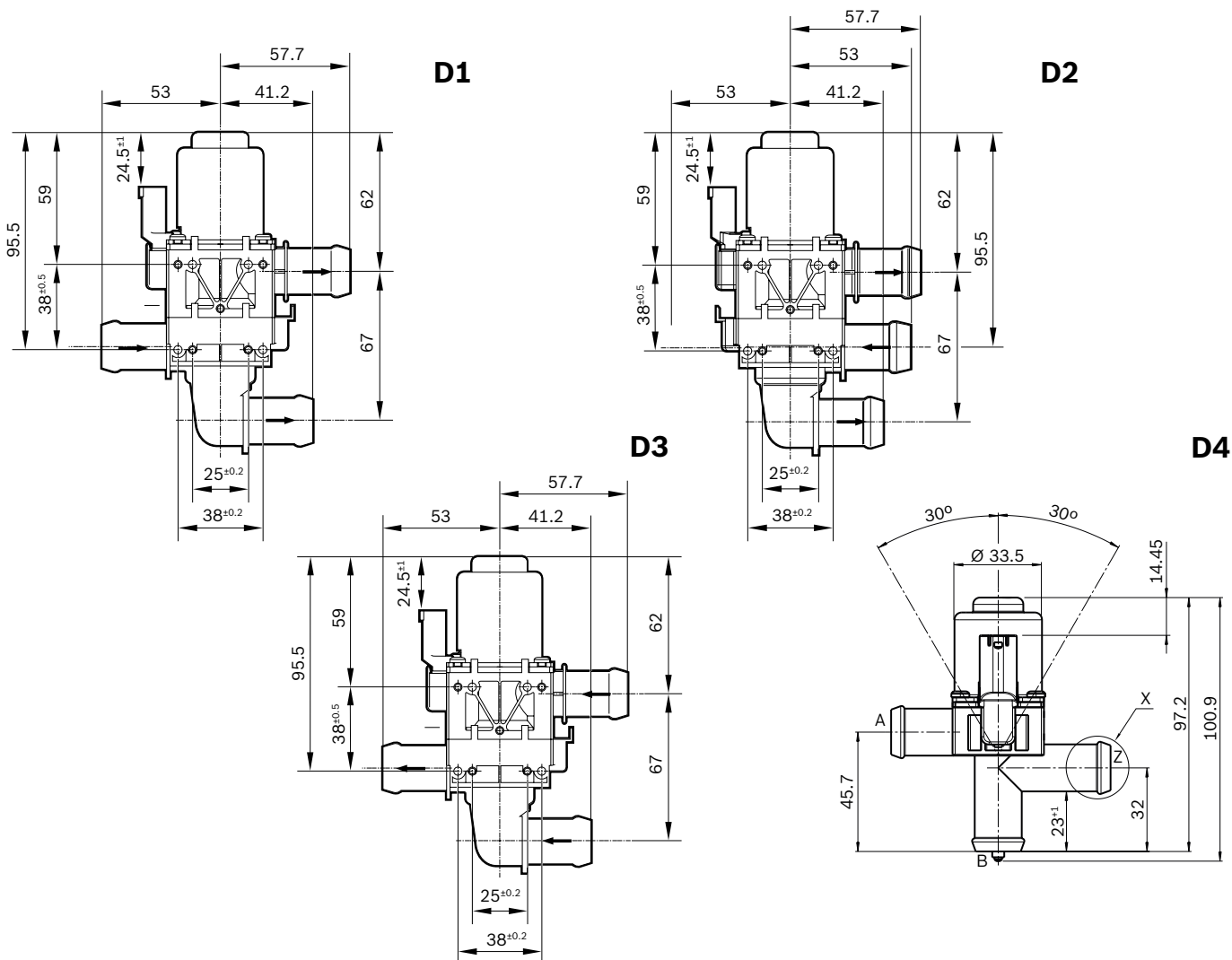
## Switch-over valves



### Family features:

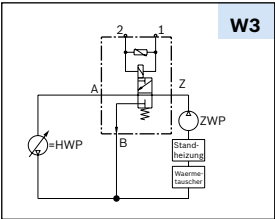
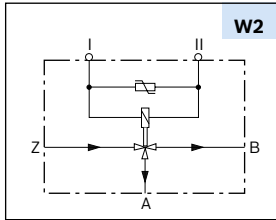
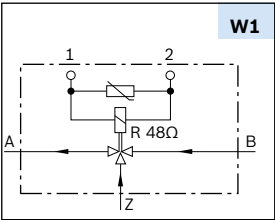
- ▶ Proportional valve function possible
- ▶ Degree of protection: IP5K4
- ▶ Open when de-energized

Voltage	Part number	Pressure drop	Flow rate	Switchable pressure difference	Resistance	Dimensional drawing (D)	Wiring diagram (W)	Connector (C)	Performance curve (P)
		kPa	L/hr	kPa	Ω				
12 V	1 147 412 207	45	2000	60	12.4	D3	W1	C1	P1
	1 147 412 211	45	1500	160	12.4	D1	W2	C1	P2
	1 147 412 213	45	1500	160	12.4	D2	W2	C1	P2
	1 147 412 282	35	1500	160	15.3	D4	W3	C1	-
24 V	1 147 412 204	45	2000	60	48	D3	W1	C1	P1

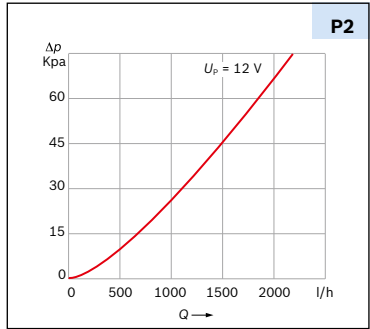
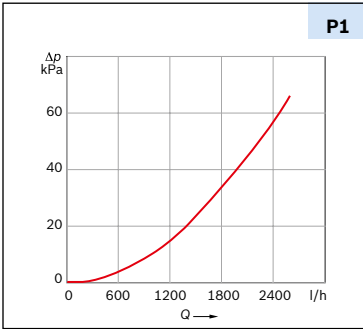


# Switch-over valves

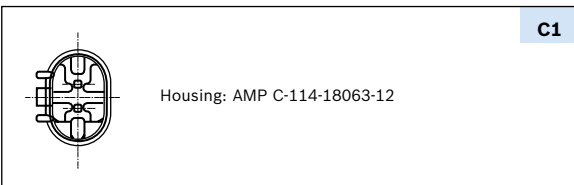
## Wiring diagram (W)



## Performance curve (P)



## Mating connector (C)



# Bosch contacts worldwide

## for sales and advice

### Australia

Robert Bosch (Australia) Pty  
1555 Centre Road  
AU-3169 Victoria

### France

Bosch France SAS  
126, Rue de Stalingrad  
FR-93705 Drancy Cedex

### Norway

Robert Bosch AS  
Drakegatan 6, Goteborg  
Goteborg and Bohus  
SE, 412 50

### Austria

Robert Bosch AG  
Göllnergasse 15 - 17  
AT - 1030 Wien

### Germany

Robert Bosch GmbH  
Auf der Breit 4  
DE - 76227 Karlsruhe

### Poland

Robert Bosch Sp. z.o.o.  
Jutrzenki 105  
PL-02231 Warszawa

### Belgium

Robert Bosch SA/NV  
Rue Henri Genessestraat 1  
BE - 1070 Bruxelles

### Great Britain

Robert Bosch Ltd  
P.O.Box 98; Broadwater Park;  
North Orbital Road  
UK - UB9 5HJ Denham

### Sweden

Robert Bosch AB  
Drakegatan 6, Goteborg  
Goteborg and Bohus  
SE, 412 50

### Brazil

Robert Bosch Ltda  
Rod Anhanguera Km 98  
13065-900  
Campinas

### Hungary

Robert Bosch Kft  
Gyoemroei ut 120.  
HU - 1103 Budapest

### Switzerland

Robert Bosch AG  
Postbox 264, Solothurn  
CH, CH-4501

### Czech Republic

Robert Bosch Odbytova s.r.o.  
Radlicka 350/107d, Praha  
CZ, 158 00

### Israel

Ledico Technologies LTD.  
31 Lazarov Str.  
IL - 75654 Rishon Le Zion

### Spain

Robert Bosch Espana S.A.  
Avd. de la Institucion Libre de Ensenanza 19,  
Madrid, ES, 28037

### China

Bosch Trading (Shanghai) Co., Ltd  
333 Fuquan (N.) Road  
CN-200335 Shanghai

### Italy

Robert Bosch SPA  
Strada del Drosso 37/15  
Torino, Piemonte  
IT, 10135

### Thailand

Robert Bosch Limited  
2525 FYI Center, Tower 1  
5th Floor Rama IV Road, Klongtoei, Bangkok  
TH, 10110

### Denmark

Robert Bosch  
Telegrafvej 1  
DK - 2750 Ballerup

### Japan

Bosch Corporation  
2-3-10 Nishihon-mach Nishi-ku  
JP-550-00005 Osaka

### Türkey

Bosch San. Ve Tic. A.S.  
Aydivevler Mah. Inonu Cad. No:20  
Ofis Park A, Istanbul, Kucukyali/Maltepe  
TR, 34854

### Finland

Robert Bosch Oy  
Aeyritie 8 E  
01510 Vantaa

### Korea

Robert Bosch Korea  
298 Bojeong-dong Giheung-gu  
KR - 446-913 Yongin-si, Gyeonggi-do

### USA

Robert Bosch LLC  
2800 South 25th Avenue  
US - 60155-4594 - Broadview, IL

# Professional Customer Service.

Benefit from Extensive Bosch Information



[bosch-ibusiness.com](http://bosch-ibusiness.com)

## Comprehensive Product Range

A great variety of Bosch products are suitable for industrial applications. You will find the whole product range and comprehensive technical information at:

[www.bosch-ibusiness.com](http://www.bosch-ibusiness.com)

- ▶ Electric motors
- ▶ Blowers
- ▶ Solenoid valves
- ▶ Water pumps
- ▶ Sensors
- ▶ Starters
- ▶ Alternators
- ▶ Connectors
- ▶ Industrial spark plugs
- ▶ Relays
- ▶ Switches

## You have an idea – Bosch has the matching solution

Rely on one of the leading global developer and manufacturer of electric motors in automotive equipment and benefit from comprehensive experience and expertise for your next project. Bosch provides a comprehensive high-quality product range for a large variety of industrial applications.

In an informative and interactive manner, this website presents a wealth of Bosch products for industrial applications – you will find information and product details about electric motors, sensors, relays, starters, alternators, pumps, valves and much more.

- ▶ Product images
- ▶ Technical data
- ▶ Basic technical information
- ▶ Characteristic curves
- ▶ Circuit and connection diagrams
- ▶ Dimensional drawings
- ▶ 3D models



Support in  
planning and  
development



## **Innovative drives for your projects**

### **Bosch electric motors for industrial applications**

Bosch provides a wide range of technically and economically interesting product solutions. Take advantage of our engineers' experience gathered from application in millions of automobiles and from many other industrial uses.



Ⓜ 6 008 CT1 388/2019/20

AA/MK12 – 10.2018 – En

© 2018 Robert Bosch GmbH  
Automotive Aftermarket  
P.O. Box 41 09 60  
76225 Karlsruhe, Germany

Token fee: € 5,00

[www.bosch-ibusiness.com](http://www.bosch-ibusiness.com)

Subject to changes without notice!  
Please address your queries and information to our agency.  
With the publication of this issue all previous issues are rendered invalid.

**[bosch-ibusiness.com](http://bosch-ibusiness.com)**





PN	Page	PN	Page	PN	Page
0132801142	12	F006B49680	20	F006B10441	62
0132801143	12	F006B49681	20	0130115352	50
0132801141	12	F006B49780	20	0130115017	50
0132801169	12	F006B49781	20	0130115008	50
0132801156	12	F006B20093	22	0130101616	54
0390201900	14	F006B20092	22	0130115604	58
0390201912	14	F006B20103	22	F006B10422	60
0390201902	14	F006B20101	22	0390203229	36
0390201914	14	F006B20102	22	0390201927	36
0390203371	14	F006B20099	22	0390201941	36
0390201901	14	F006B20100	22	0390201989	36
0390201903	14	F006B20095	22	0390203693	38
0390201915	14	F006B20096	22	0390203694	38
0390203370	14	F006B20179	22	0390203428	40
0390203431	14	F006B20097	22	0390203399	40
0390203389	14	F006B20098	22	0392023232	66
0390203314	14	0390243610	24	0392023004	66
0390203315	14	0390243611	24	0392023117	66
0390203316	14	F006B20410	24	0392024058	68
0390203317	14	F006B20411	24	0392024078	68
0390203386	14	F006B20412	24	0392024041	68
0390203228	16	F006B20413	24	1147412208	72
0390201972	16	F006B20145	26	1147412205	72
0390201973	16	F006B20048	26	1147412218	72
0390201944	16	F006B20064	26	1147412207	74
0390201999	16	F006B20146	26	1147412211	74
0390203224	16	F006B20106	26	1147412213	74
0390203225	16	F006B20360	26	1147412204	74
0390203226	16	F006WM0310	26	1147412282	74
0390203227	16	0986337225	28	0390248015	34
0390201950	16	0986337270	28	0390248016	34
0390203266	16	0986337280	28		
0390201949	16	0986337200	28		
0390203306	16	0986337201	28		
0390203307	16	0986337209	28		
0390203308	16	0986337250	28		
0390203309	16	0986337400	30		
0390203310	16	0986337411	30		
0390203311	16	0986337401	30		
0390203312	16	0986337402	30		
0390203313	16	0986337409	30		
0130822488	18	0986337410	30		
0130822489	18	0986337451	32		
0130822492	18	0130001001	44		
0130822493	18	0390204092	46		
0130822490	18	0390204118	46		
0130822494	18	0390204166	46		
0130822495	18	3137230005	48		
F006B40702	20	3137230006	48		